

General Description

TUBU'S LED UFO type compact High bay F2 is a new design concept of LED high bay lights, with patent designed and perfect of safety, energysaving, reliable and intelligent control. The systematic combination design of LED chips & heating makes the products have the competitive cost, long useful life and and low maintenance. Lightweight design for easy installation and application; Excellent heat dissipation design, Self-cleaning and dustproof design to extend more application places.

Features

- 3 Options of luminous efficiency: 140LM/W(Ra80), 170LM/W (Ra80), 185LM/W (Ra70)
- Beam Angle for choose: 90°/120°
- Wide input voltage meets different markets: 90-305VAC
- Operating Temperature Range: -40 ~ 50°C, 20 ~ 95%RH No condensation
- LED Lifespan: L70>54,000H
- IP65 Waterproof Rating
- SCP/OVP/OTP protection driver
- Plug-and-play microwave sensor
- Controller model for choose: Single Microwave constant illumination; Group Microwave constant illumination+RF(868MHz)
- Installation mode options: Hook/Bracket Mount

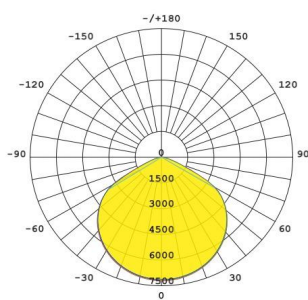
Applications

- Sports lighting
- Warehouse
- Storage

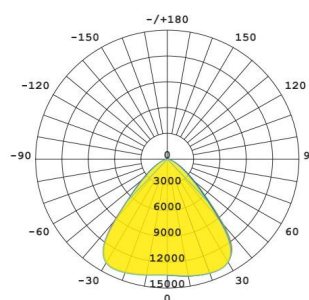
Electrical and Technical Data

Model No	TBF2-60W	TBF2-100W	TBF2-150W	TBF2-200W
Input Power	60W	100W	150W	200W
LEDs	2835	2835	2835	2835
CCT	4000K/5000K/5700K	4000K/5000K/5700K	4000K/5000K/5700K	4000K/5000K/5700K
CRI	>80	>80	>80	>80
Power Factor	>0.95	>0.95	>0.95	>0.95
IP Grade	IP65	IP65	IP65	IP65
Input Voltage	90-305VAC	90-305VAC	90-305VAC	90-305VAC
Luminous	140lm/W & 175lm/W	140lm/W & 175lm/W	140lm/W & 175lm/W	140lm/W & 175lm/W
Beam Angle	90° & 120°	90° & 120°	90° & 120°	90° & 120°
Working Temp	-40~50°C	-40~50°C	-40~50°C	-40~50°C
Lamp Body	Houseing: Die-casting Aluminum Color: Black (RAL9005) Lens: PC			
Warranty	5 Years	5 Years	5 Years	5 Years
Lifetime	L70>54,000 hrs	L70>54,000 hrs	L70>54,000 hrs	L70>54,000 hrs

Photometric diagram

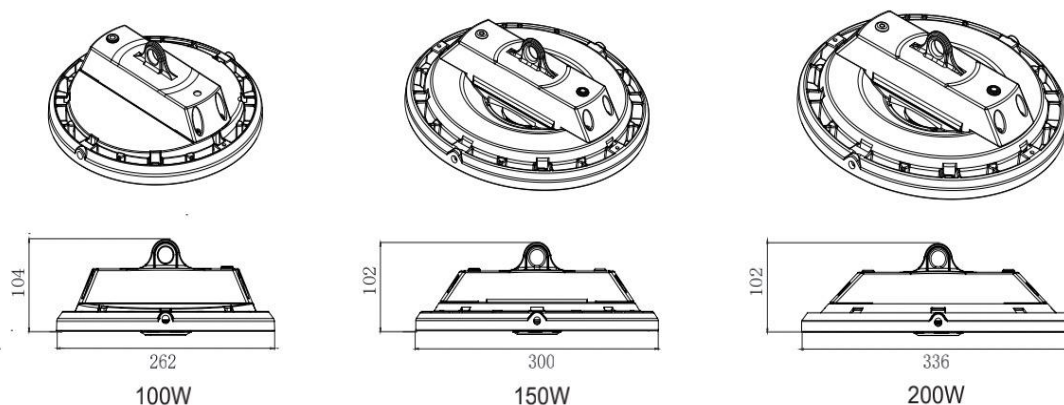


AVERAGE BEAM ANGLE(50%):118.1 DEG



AVERAGE BEAM ANGLE(50%):86.7 DEG

Product Dimension&Package Details



Model	D(Norm)	H(Norm)	N.W/PC	G.W/PC	Qty/CTN	Size/CTN
TBF2-040W	Ø 192mm	81mm	1.1KG	1.5KG	1PCS/CTN	255*255*120mm
TBF2-060W	Ø 192mm	81mm	1.1KG	1.5KG	1PCS/CTN	255*255*120mm
TBF2-100W	Ø 262mm	104mm	2.1KG	2.7KG	1PCS/CTN	324*145*340mm
TBF2-150W	Ø 300mm	102mm	2.8KG	3.5KG	1PCS/CTN	360*145*340mm
TBF2-200W	Ø 336mm	102mm	3.3KG	3.8KG	1PCS/CTN	415*150*390mm