

General Description

TUBU's IP66 LED batten fixture L10 K series are an ideal solution for both wet and dry locations such as parking garages and exterior hallways as well as factory production areas, basements and storage areas. They are available in lengths from 2ft to 5ft with both surface mount and suspension mount options.

Features

- IP66, IK10
- Stainless steel clips & safety rope
- 5x2.5mm² through wiring
- Boke isolated flicker free driver
- 130lm/W system efficiency, CRI80(Honglitronic brand leds)
- PC cover + PC base(V2)
- Self-test emergency with LiFePO4 battery option
- microwave sensor options(wireless control)
- Ambient Temperatures: -20 to +40 degrees
- 5 Year Warranty, CE, RoHs Certified
- Options: 1-10V, Motion Sensor, DALI, Emergency
- Surface Mount or Suspension mount

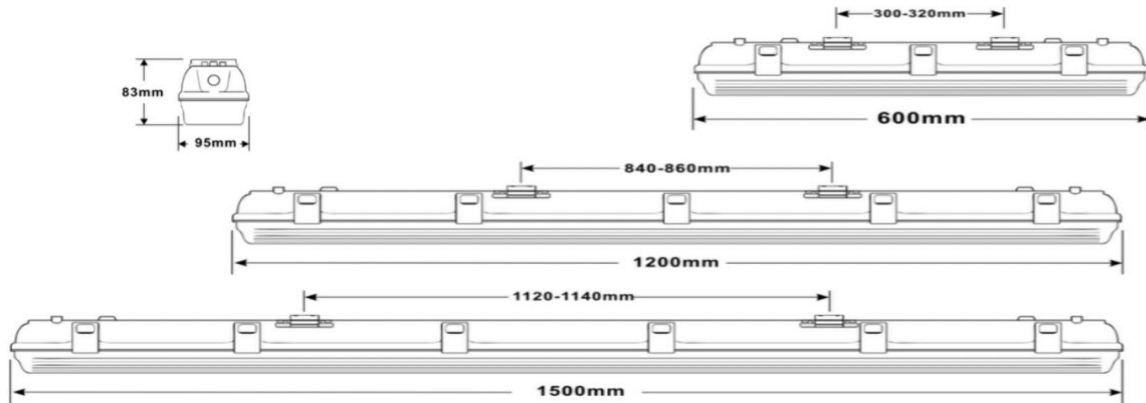
Applications

- Car parking Lighting
- School Lighting
- Workshops
- Supermarket
- Warehouse
- Storage

Electrical and Technical Data

Model No	TBL10A2F-18W-K	TBL10A4F-36W-K	TBL10A5F-50W-K
Input Power	18W	36W	50W
Dimension	600*95*83mm	1200*95*83mm	1500*95*83mm
CCT	3000K / 4000K / 5000K / 5700K		
CRI	>80		
Power Factor	>0.9		
IP Grade	IP66		
Input Voltage	200-240VAC		
PC Cover	Milky		
Lumen Efficacy	130lm/W±5%		
Luminous	2200~2450lm	4800~5400lm	6200~6700lm
Beam Angle	120°		
Working Temp	-20° -40° C		
Warranty	5 Years		
Lifespan	L70> 54,000hrs		

Product Dimension&Package Details



Model	Length	Width	Height	N.W/CTN	G.W/CTN	Qty/CTN	Size/CTN
TBL10A2F-18W-K	600mm	95mm	83mm	11.0KG	13.0KG	9PCS/CTN	680*320*290mm
TBL10A4F-36W-K	1200mm	95mm	83mm	21.0KG	24.0KG	9PCS/CTN	1280*320*290mm
TBL10A5F-50W-K	1500mm	95mm	83mm	26.0KG	29.0KG	9PCS/CTN	1580*320*290mm

Installation

