



INDUSTRIAL LED LIGHTING

2021-2022 CATALOGUE

PRODUCTS

INDUSTRIAL LED LIGHTING



INDOOR LIGHTING



IP69K LED Tri-proof Light L9

20W/40W/50W/60W

PAGE 01



UGR < 19 IP69K Tri-proof Light

20W/40W/50W/60W

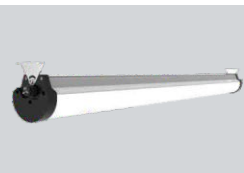
PAGE 03



IP65 LED Batten Fitting L10

40W/50W

PAGE 05



LED Linear Low Bay Fixture L1

40W/60W/80W/100W

PAGE 07



Smart LED High Bay Light F2

100W/150W/200W

PAGE 09



LED Compact High Bay F4

100W/150W/200W

PAGE 11



IP69K Food Processing High Bay F10

100W/120W/150W

PAGE 13



High-temp Ambient High Bay F9H

100W/150W

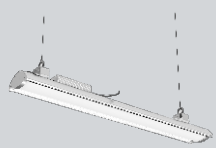
PAGE 15

PRODUCTS

INDUSTRIAL LED LIGHTING



INDOOR LIGHTING



LED Linear High Bay Light G1

80W/150W/200W

PAGE 17



LED Linear High Bay Light G2

80W/150W/200W

PAGE 19

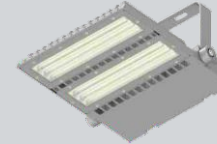
OUTDOOR LIGHTING



Slimline LED Flood Light TG1

20W/30W/50W/100W/150W/200W
250W/300W/400W

PAGE 21



LED Area Light F3

75W/100W/150W/200W/240W

PAGE 23



LED Sports & High Mast Flood Light

350W/500W/600W

PAGE 26



High Mast Light HMG3

300W/100W/150W/200W/240W

PAGE 28



LED Street Light Series

28W/38W/45W/55W/65W/75W/90W
105W/120W/130W/150W/160W/180W

PAGE 30

IP69K LED Tri-proof Light L9



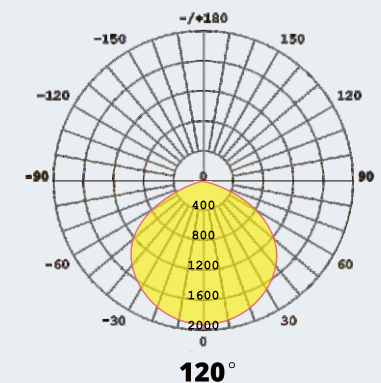
Features

- IP67 & IP69K
- PMMA IK08/PC IK10
- Anti-ammonia
- Against water pressure of 100bar(1450psi) and temperature of 80°C
- System efficiency up to 130lm/W & 150lm/W
- High CRI >80
- UGR<19 option
- Environmentally friendly, no mercury, No UV, No IR
- Wide beam angle 120°
- Energy Efficiency Grade: A+
- Quick Start instant 100% luminous flux
- 5 Year Warranty on complete fixture. (LED's, Driver, & Housing)
- Certificate: CE, RoHS Certified
- Surface Mount or Suspended



Applications

- Car parks
- Ships
- Food Processing
- Poultry Lighting
- Farm Lighting
- Water treatment plants
- Railway stations
- Car Washing
- Airports
- Inspection pits
- Tunnels
- Port installations



IP69K LED Tri-proof Light

- PC IK10/PMMA IK08
- Anti-ammonia
- Chemical resistant, Oil resistant
- 130lm/W 150lm/W
- Against water pressure of 100bar(1450psi) and temperature of 80°C

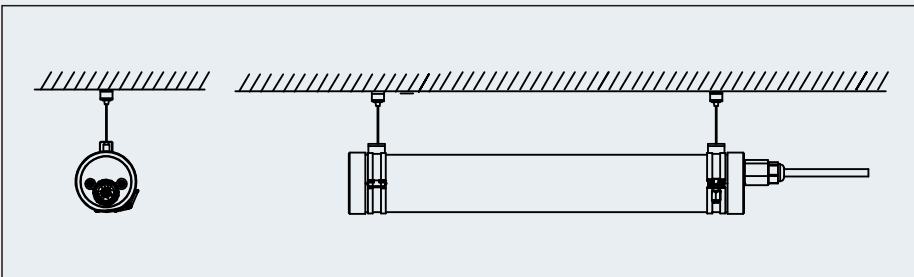
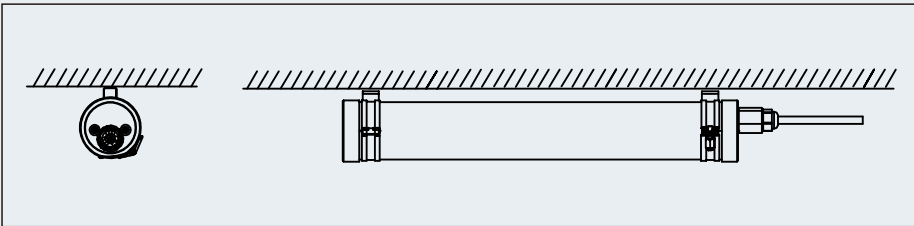
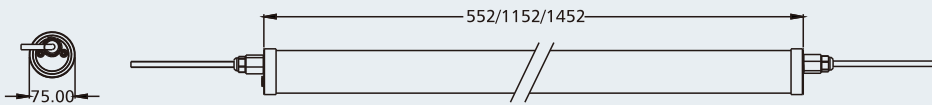
20W/40W/50W/60W



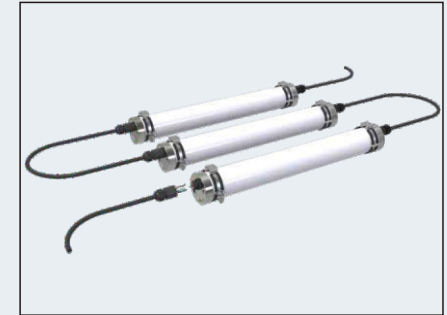
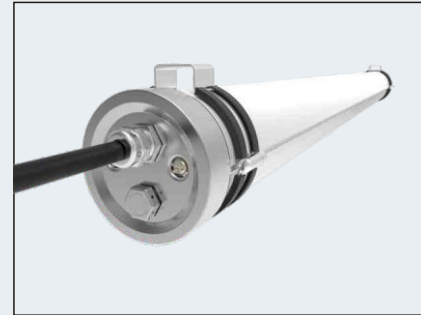
Single installation



Linkable Installation



IP69K LED Tri-proof Light L9



Specifications

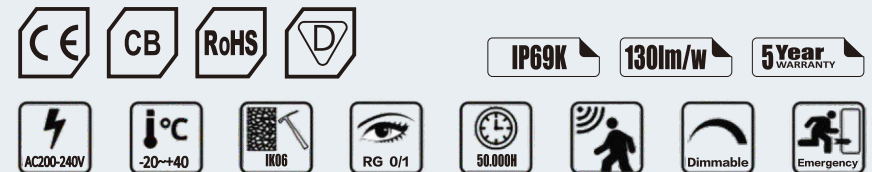
Product Code	TBL92F-20W	TBL94F-40W	TBL95F-50W	TBL95F-60W	
Power	20W	40W	50W	60W	
Input Voltage	200-240VAC / 100-277VAC (50/60Hz)				
Input Current	0.09A@220VAC	0.19A@220VAC	0.23A@220VAC	0.28A@220VAC	
PF	>0.90@220VAC				
Dimming	BOKE	0-10V/Dali			
CCT	3000K/4000K/5000K/6000K				
Ra > 80	Luminous Flux	2600Lm ± 5%	5200Lm ± 5%	6500Lm ± 5%	7800Lm ± 5%
	Efficiency	130Lm/W ± 5%			
Ra > 80	Luminous Flux	3000Lm ± 5%	6000Lm ± 5%	7500Lm ± 5%	9000Lm ± 5%
	Efficiency	150Lm/W ± 5%			
LED Brand	Lumileds/Hongli 2835				
Beam Angle	120°				
Operation Temp	-20°C ~ +40°C				
Storage Temp	-20°C ~ +60°C				
Life Span	40°C 50000Hours				
IP Class	IP67&IP69K				
IK Class	PMMA IK08/PC IK10				
Certificate	CE, RoHS, CB, IK10, IP69K, ENEC				
Lamp Body Color	Milky PC/PMMA Housing & 304/316 Stainless Steel End Caps				
Product Size (mm)	Ø75*552	Ø75*1152	Ø75*1452	Ø75*1452	
Packing Size (mm)	730*260*270	1330*260*270	1630*260*270	1630*260*270	
Quantity/carton	9pcs	9pcs	6pcs	6pcs	
Gross weight (kg) ± 0.3	12	20	23	23	
Installation mode	Surface Mount/Suspension Mount				

UGR<19 IP69K Tri-proof Light



Features

- UGR<19 low glare (with clear cover & reflectors)
- IP67 & IP69K
- PMMA Clear IK06 / PC Clear IK10
- 304/316 stainless steel end caps, breather, mounting bracket
- Against water pressure of 100bar(1450psi) and temperature of 80°C
- System efficiency up to 130lm/W
- High CRI >80
- BOKE isolated driver, flicker free, ENEC/TUV/SAA/CE/C-tick certified
- Wide beam angle 40°/60°/90°
- 5 Year Warranty on complete fixture. (LED's, Driver, & Housing)
- CE, RoHs, IP69K, CB certificates
- Surface Mounting bracket included, suspension cables are sold separately
- Standard material for end caps, breather, surface mounting bracket is 304 stainless steel, 316 material is available for option.

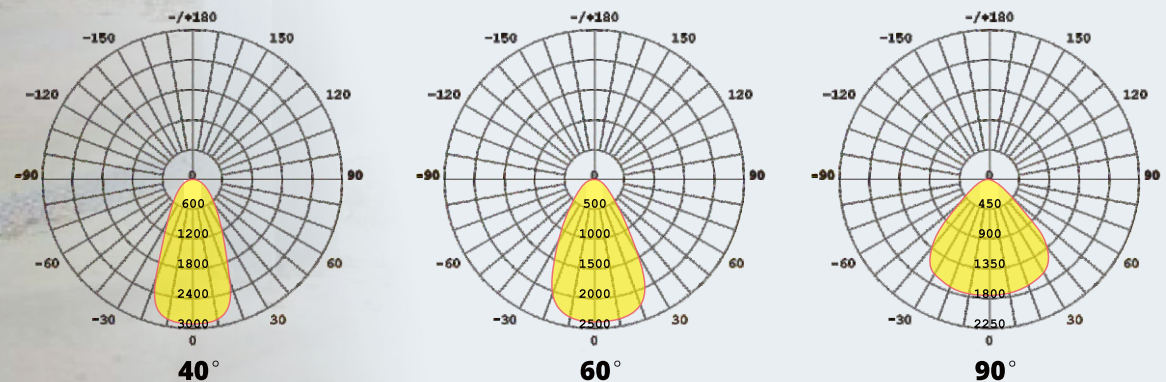


Applications

- Schools and universities
- Car parks
- Cultural facilities
- Housing facilities
- Public institutions and offices
- Railway stations and airports
- Tunnels
- Water treatment
- Port and naval installations
- Sports facilities
- Urban lighting
- Inspection pits
- Shopping centres

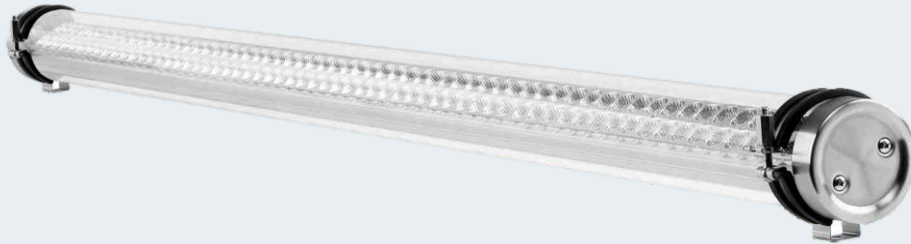
UGR<19 IP69K Tri-proof Light

- PC IK10/PMMA IK06
- Anti-ammonia
- 130lm/W
- Against water pressure of 100bar(1450psi) and temperature of 80°C

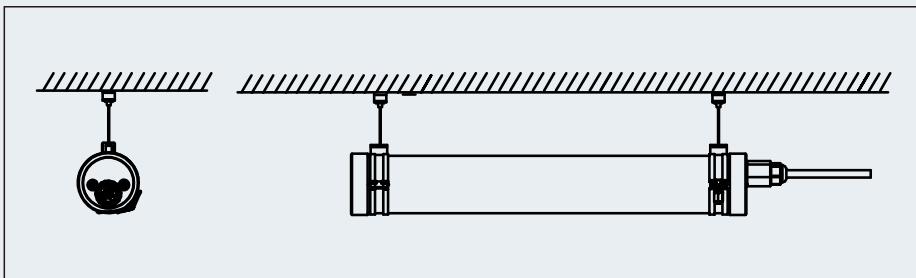
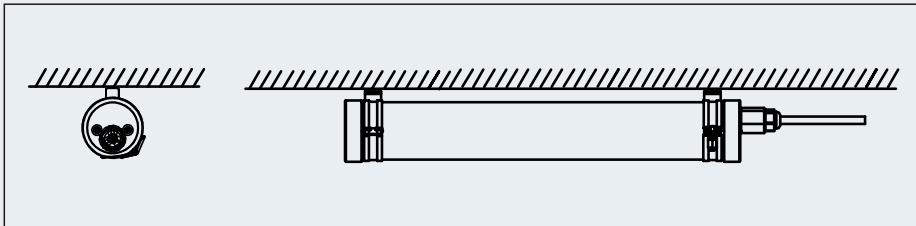
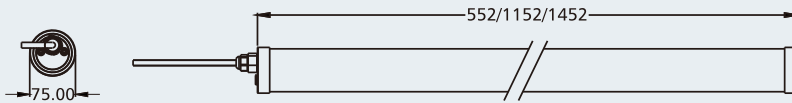




20W/40W/50W/60W



Single installation



UGR<19 IP69K Tri-proof Light



Specifications

Product Code	TBL92F-20W-DXG	TBL94F-40W-DXG	TBL95F-50W-DXG	TBL95F-60W-DXG	
Power	20W	40W	50W	60W	
Input Voltage	200-240VAC/100-277VAC (50/60Hz)				
Input Current	0.09A@220VAC	0.19A@220VAC	0.23A@220VAC	0.28A@220VAC	
PF	>0.90@220VAC				
Dimming	BOKE	0-10V/Dali			
CCT	3000K/4000K/5000K/6000K				
Ra >80	Luminous Flux	2600Lm±5%	5200Lm±5%	6500Lm±5%	7800Lm±5%
	Efficiency	130Lm/W±5%			
Ra >80	Luminous Flux	3000Lm±5%	6000Lm±5%	7500Lm±5%	9000Lm±5%
	Efficiency	150Lm/W±5%			
LED Brand	Lumileds/Hongli 3030				
Beam Angle	40°/ 60° UGR<19 / 90° UGR<22				
Operation Temp	-20°C~-+40°C				
Storage Temp	-20°C~-+60°C				
Life Span	40°C 50000Hours				
IP Class	IP67 & IP69K				
IK Class	PMMA IK06 / PC IK10				
Certificate	CE, RoHS, CB, IP69K				
Lamp Body Color	Milky PC/PMMA Housing & 304/316 Stainless Steel End Caps				
Product Size (mm)	Ø75*552	Ø75*1152	Ø75*1452	Ø75*1452	
Packing Size (mm)	730*260*270	1330*260*270	1630*260*270	1630*260*270	
Quantity/carton	9pcs	9pcs	6pcs	6pcs	
Gross weight (kg) ±0.3	12	20	23	23	
Installation mode	Surface Mount/Suspension Mount				



Classic LED Batten Fitting Light

- 120°
- 40W 50W
- Options: 1-10V, DALI, MW Sensor, 3h Emergency Battery Backup

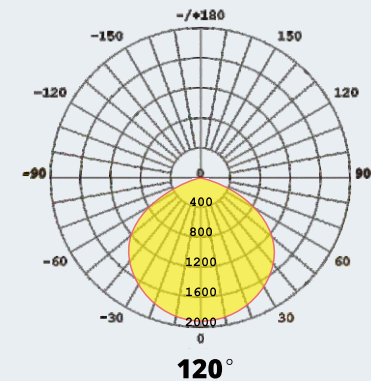
Features

- High Output LED's, up to 130lm/W
- High CRI >80
- IK10 compact design
- High Transmittance, no shadow
- Flicker Free driver, High PF>0.9 low THD driver
- Environmentally friendly, no mercury, No UV, No IR
- Linkable Option
- IP65 waterproof, dust, corrosion and pressure-proof, vibration proof; for indoor & outdoor use
- Energy Efficiency Grade: A+
- Quick Start instant 100% luminous flux
- 5 Year Warranty on complete fixture. (LED's, Driver, & Housing)
- Certificate: CE, RoHS
- Optional: 1-10V, Dali Dimming, MW Sensor, 3h Emergency Battery Backup

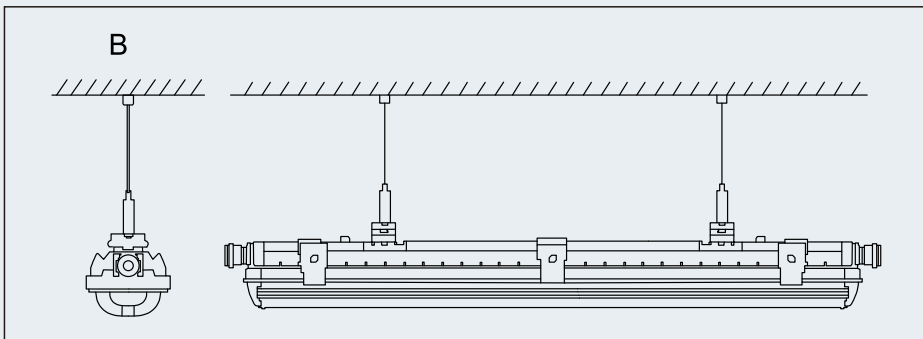
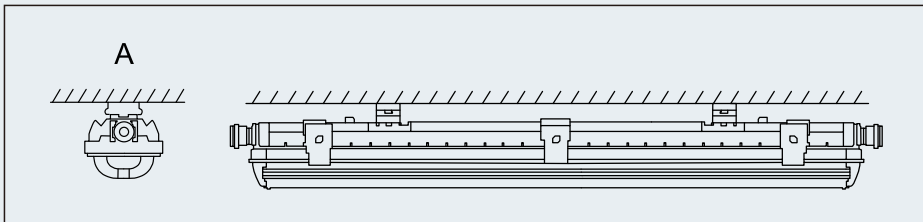
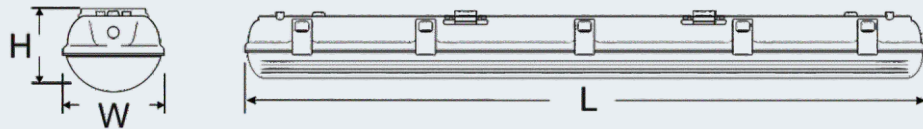


Applications

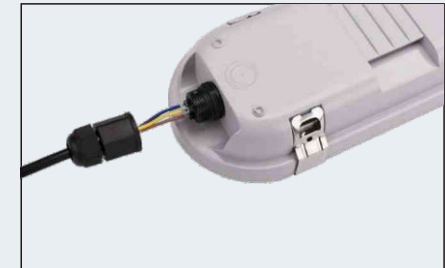
- Workshops
- Supermarket
- Warehouse
- Storage
- School Lighting
- Car parking Lighting



40W/50W



IP65 LED Batten Fitting L10



Specifications

Product Code	TBL10A4F-40W-S	TBL10A5F-50W-S
Power	40W	50W
Input Voltage	200-240VAC/100-277VAC (50/60Hz)	
Input Current	0.19A@220VAC	0.23A@220VAC
PF	> 0.9A@220VAC	
Dimming(Optional)	1-10V, DALI, MW Sensor, Emergency	
CCT	3000K/4000K/5000K/6000K	
Ra > 80	Luminous Flux	5200Lm ± 5% 6500Lm ± 5%
	Efficiency	130Lm/W ± 5%
LED Brand	Lumileds/Hongli 2835	
Beam Angle	120°	
Operation Temp	-20°C ~ +40°C	
Storage Temp	-20°C ~ +60°C	
Life Span	L90 > 54000Hours	
IP Class	IP65	
IK Class	IK08	
Certificate	CE, ROHS	
Lamp Body Color	PC Base(Grey) + PC Cover(Milky)	
Product Size (mm)	1200*90*80	1500*90*80
Packing Size (mm)	1280*335*290	1580*335*290
Quantity/carton	9pcs	9pcs
Gross weight (kg) ± 0.3	19.5	22
Installation mode	Surface Mount & Suspension Mount	

LED Linear Low Bay Fixture L1



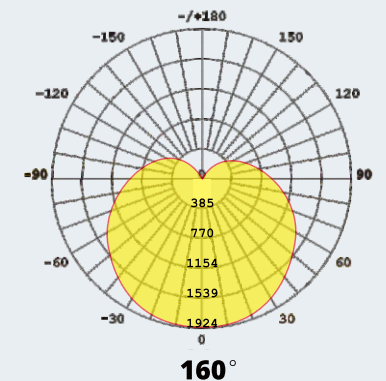
Features

- 130lm/W, standard, 150lm/w optional
- High CRI >80
- Wide beam angle 160°
- IP65 waterproof, dust, corrosion and pressure-proof; for indoor use
- Aluminium housing+PC cover
- 5 Year Warranty
- Certificate: CE, RoHS, ETL, DLC, IK10
- Options: 0-10V/DALI Dimming
- Hanging mount accessories included; 90°adjustable mounting clips for option



Applications

- Car parking Lighting
- School Lighting
- Workshops
- Supermarkets
- Warehouse
- Storage



Unique Design Linear Low Bay L1

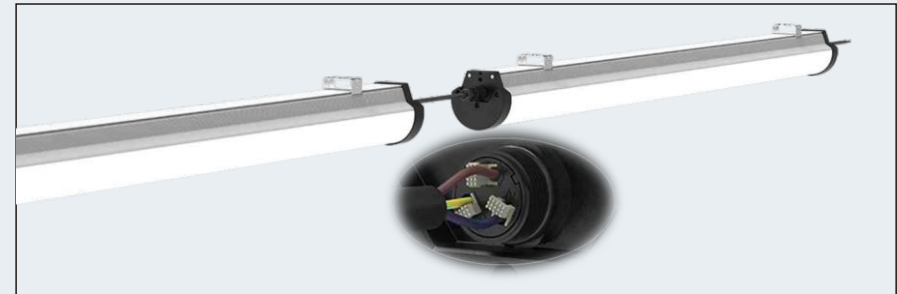
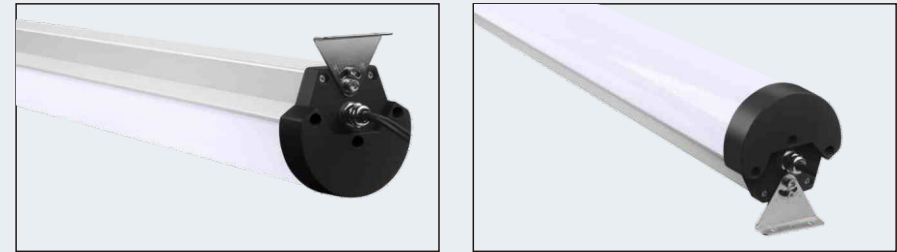
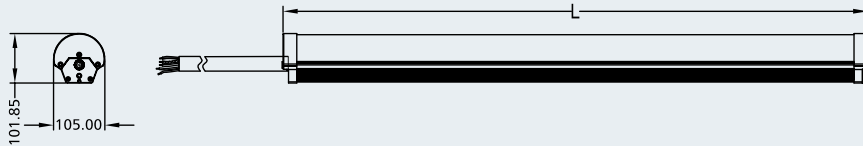
- 160° Light Distributor
- 90° Rotatable Mount Bracket

LED Linear Low Bay Fixture L1

40W/60W/80W/100W



130~150lm/w



Specifications

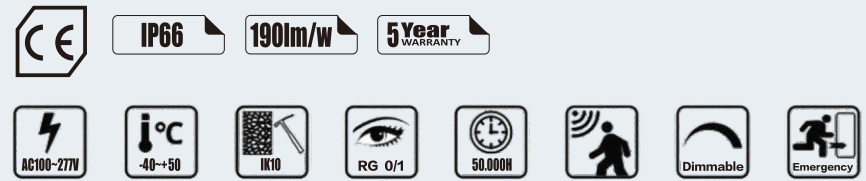
Product Code	LBF4F-40W	LBF4F-60W	LBF5F-40W	LBF5F-60W	LBF5F-80W	LBF5F-100W
Power	40W	60W	40W	60W	80W	100W
Input Voltage	200-240VAC/100-277VAC (50/60Hz)					
Input Current	0.19A@220VAC	0.28A@220VAC	0.19A@220VAC	0.28A@220VAC	0.37A@220VAC	0.46A@220VAC
PF	> 0.9@220VAC					
Dimming(Optional)	1-10V, DALI					
CCT	3000K/4000K/5000K/6000K					
Ra >80	Luminous Flux	5200Lm±5%	7800Lm±5%	5200Lm±5%	7800Lm±5%	10400Lm±5%
	Efficiency	130Lm/W±5%				
Ra >80	Luminous Flux	6000Lm±5%	9000Lm±5%	6000Lm±5%	9000Lm±5%	12000Lm±5%
	Efficiency	150Lm/W±5%				
LED Brand	Lumileds/Hongli 2835					
Beam Angle	160°					
Operation Temp	-20°C~+45°C					
Storage Temp	-20°C~+60°C					
Life Span	45°C 50000Hours					
IP Class	IP65					
IK Class	IK10					
Certificate	CE, ETL, DLC, RoHs					
Lamp Body Color	Silver Aluminium housing + Milky PC cover					
Product Size (mm)	1200*105*127		1500*105*127		1500*105*127	
Packing Size (mm)	1250*245*238		1550*245*238		1550*245*238	
Quantity/carton	4pcs		4pcs		4pcs	
Gross weight (kg) ± 0.3	15		19		19	
Installation mode	Surface mount & Suspension Mount					





Features

- 3 Options of luminous efficiency: 140LM/W(Ra80), 170LM/W (Ra80), 190LM/W (Ra70)
- Beam Angle for choose: 60 / 90 / 120 degree
- Wide input voltage meets different markets: 90~305VAC
- Operating Temperature Range: -40~50°C, 20~95%RH No condensation
- LED Lifespan: L70>54,000H
- IP66 Waterproof Rating
- SCP/OVP/OTP protection driver
- Plug-and-play microwave sensor
- Installation mode options: Hook/Bracket Mount
- Controller model for choose: Single Microwave constant illumination; Group Microwave constant illumination+RF(868MHz)

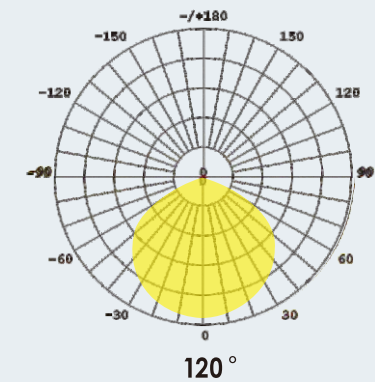
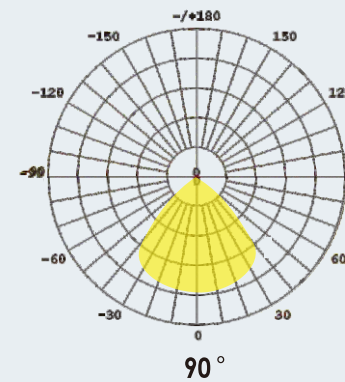
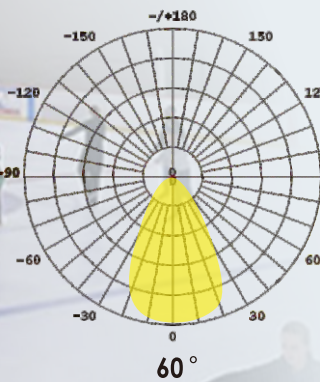


Applications

- Sports lighting
- Warehouse
- Storage

Smart LED High Bay Light

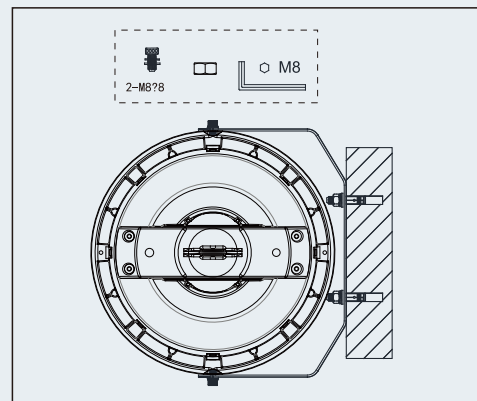
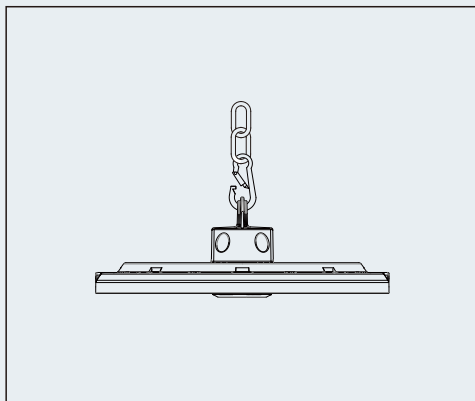
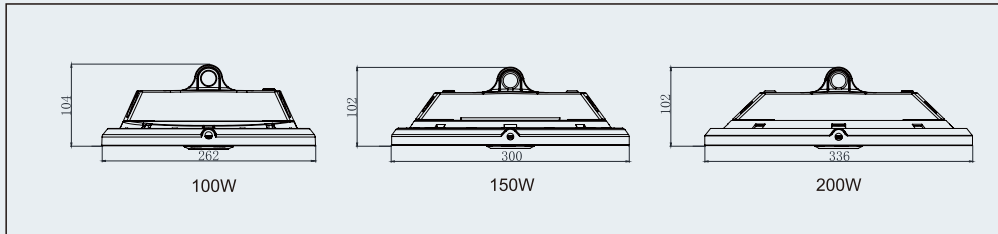
- 100W~200W
- Plug & Play Microwave sensor option
- Up to 190lm/W
- 60°/90°/120°



100W/150W/200W



Smart LED High Bay Light F2



Specifications

Product Code	TBF2-100W	TBF2-150W	TBF2-200W	
Power	100W	150W	200W	
Input Voltage	90~305VAC(50/60Hz)			
PF	>0.9 @220VAC			
Dimming(Optional)	0-10V / DALI Dimming			
CCT	3000K, 4000K, 5000K, 6000K			
Ra>80, 5000K	Luminous Flux	14000lm±5%	21000lm±5%	28000lm±5%
	Efficiency	140lm/W±5%		
Ra>80, 5000K	Luminous Flux	17000lm±5%	25500lm±5%	34000lm±5%
	Efficiency	170lm/W±5%		
Ra>70, 5000K	Luminous Flux	19000lm±5%	28500lm±5%	38000lm±5%
	Efficiency	190lm/W±5%		
LED Brand	Lumileds			
Light Type	SMD 3030 or SMD2835			
Operation Temp	-40°~+50°C			
Storage Temp	-40°~+85°C			
Life Span	50°C 50000Hours			
IP Class	IP66			
IK Class	IK08			
Certificate	CE RoHS			
Lamp Body Color	Housing: Die-casting Aluminum Color: Black (RAL9005) Lens: PC			
Product Size (mm)	Ø262*104mm	Ø300*102mm	Ø336*102mm	
Packing Size (mm)	324*145*340mm	360*145*340mm	415*150*390mm	
Quantity/carton	1pcs	1pcs	1pcs	
Gross Weight (kg)	3.5kg	4.2kg	5.0kg	
Installation mode	Hook Mount, Bracket Mount			



Built-in Microwave Sensor with Wireless Remote Controller

- 140lm/W, 160lm/W, 190lm/W option

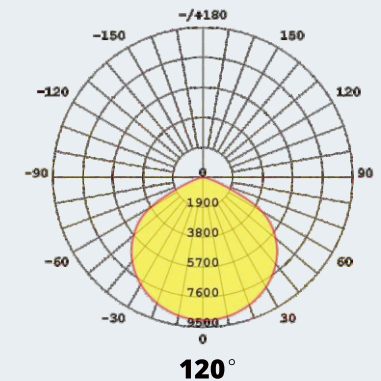
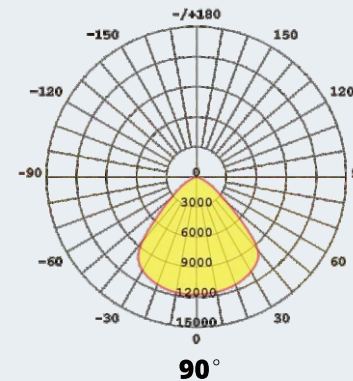
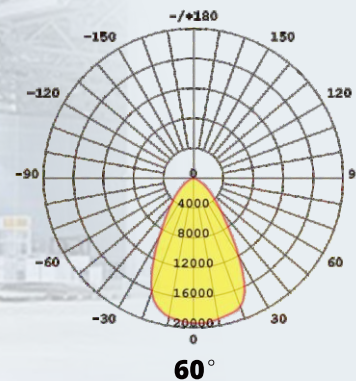
Features

- High Output, up to 140m/W, 160m/W, 190lm/W optional
- High CRI >70, CRI80, CRI90 optional
- UL listed Meanwell driver, High PF>0.9 low THD driver, Flicker free
- Environmentally friendly, no mercury, No UV, No IR
- 90° beam angle
- IP65 protections rating
- Energy Efficiency Grade: A+++
- Quick Start instant 100% luminous flux
- 5 Year Warranty on complete fixture. (LED's, Driver, & Housing)
- Certificate: CE, RoHS, ETL, DLC, SAA, TUV
- Body: Aluminium alloy
- Stainless steel screws
- Options: 1-10V, DALI Dimming, Microwave Sensor, Dali control



Applications

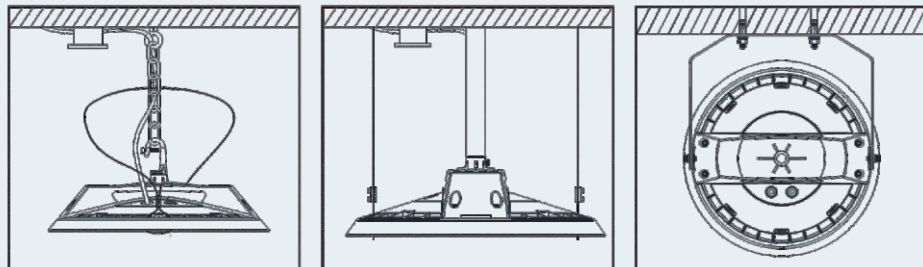
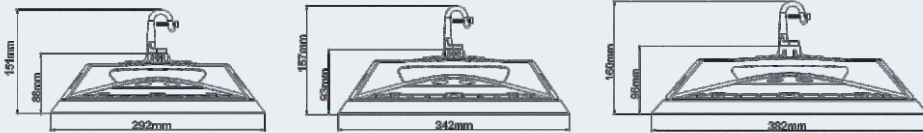
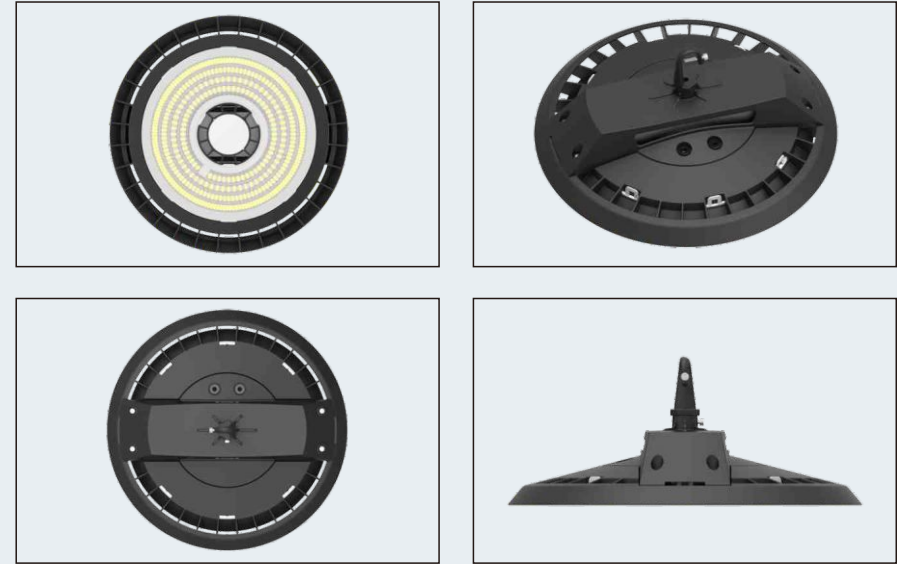
- Sports lighting
- Warehouse
- Storage



100W/150W/200W



140-190LM/W



Specifications

Product Code		TBF4-100W	TBF4-150W	TBF4-200W
Power		100W	150W	200W
Input Voltage		90-305VAC		
Input Current		0.45A	0.68A	0.91A
PF		>0.90		
Dimming(Optional)		0-10V / DALI Dimming		
CCT		3000K, 4000K, 5000K, 6000K		
Ra >80 5000K	Luminous Flux	13500Lm±6%、17500Lm±6%	20250Lm±6%、26250Lm±6%	27000Lm±6%、35000Lm±6%
	Efficiency	135Lm/W±6%、175Lm±6%		
Ra >70 5000K	Luminous Flux	14500Lm±6%、19000Lm±6%	21750Lm±6%、28500Lm±6%	29000Lm±6%、38000Lm±6%
	Efficiency	145Lm/W±6%、190Lm±6%		
LED Brand		Cree 3030		
Beam Angle		60°/ 90°/ 120°		
Operation Temp		-40°C~+45°C		
Storage Temp		-40°C~+85°C		
Life Span		45°C 50000Hours		
IP Class		IP65		
IK Class		IK10		
Certificate		CE, ROHS		
Lamp Body Color		Black (RAL9005)		
Product Size (mm)		292*292*151	342*342*157	382*382*160
Net weight (kg) ±0.1		2.78	3.35	4.02
Packing Size (mm)		334*145*340	384*150*390	424*150*430
Gross weight (kg) ±0.1		3.43	4.09	4.9
Installation mode		Hook/Pole/Bracket Mount		

IP69K Food Processing High Bay F10



Features

- IP69K IK10
- High Output LED's, up to 140lm/W standard, 160lm/W options
- CRI >70 standard (80/90 option)
- Isolated Driver with Overheat Protection, High PF>0.9, low THD, Flicker free
- Environmentally friendly, no mercury, No UV, No IR
- 60°/90°/120° beam angle
- Energy Efficiency Grade: A+++
- Quick Start instant 100% luminous flux
- 5 Year Warranty
- Certificate: CE, RoHS
- Body: Aluminium alloy
- Options: 1-10V Dimming, DALI dimming



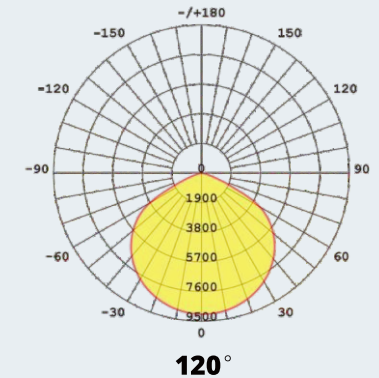
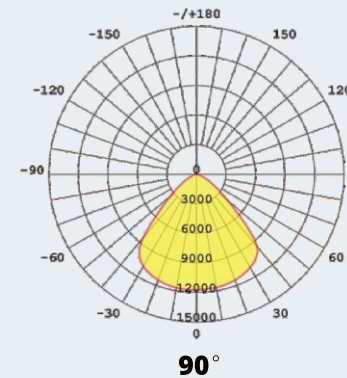
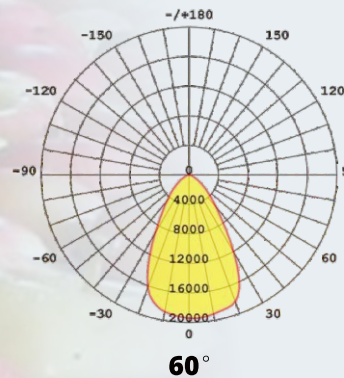
Applications

- Food Processing
- Beverage
- Garden centers
- Industrial facilities

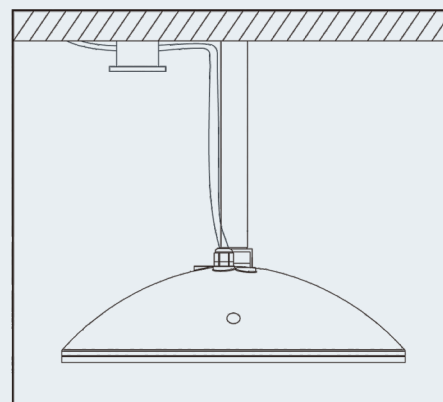
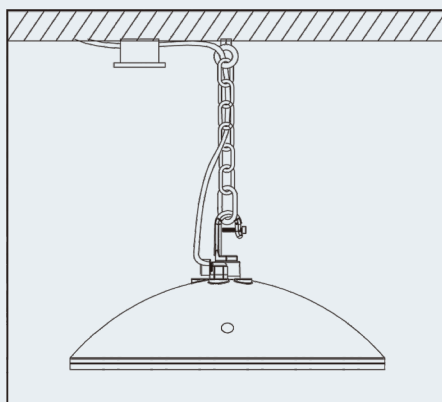
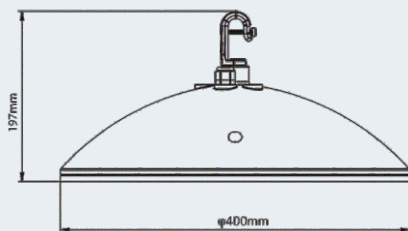
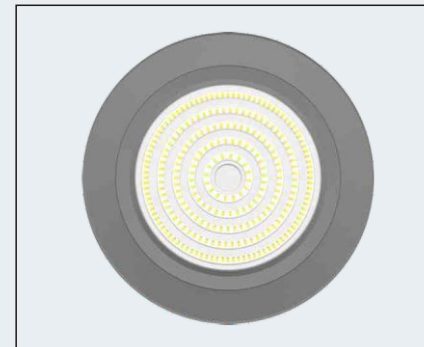


IP69K Food Processing LED High Bay

- IP69K IK10
- 100W 150W
- Against water pressure of 100bar(1450psi) and temperature of 80°C



100W/120W/150W



Specifications

Product Code	TBF10-100W	TBF10-120W	TBF10-150W
Power	100W	120W	150W
Input Voltage	90-305VAC		
Input Current	0.47A@220VAC	0.57A@220VAC	0.68A@220VAC
PF	>0.9@220VAC		
Dimming	0-10V / DALI Dimming		
CCT	3000K, 4000K, 5000K, 6000K		
Ra > 80,5000K	Luminous Flux	14000Lm ± 5%	16800Lm ± 5%
	Efficiency	140Lm/W ± 5%	
Ra > 70,5000K	Luminous Flux	15000Lm ± 5%	22500Lm ± 5%
	Efficiency	150Lm/W ± 5%	
LED Brand	Nichia 3030 and Cree 3030		
Beam Angle	60°/ 90°/ 120°		
Operation Temp	-40°C ~ +45°C		
Storage Temp	-40°C ~ +85°C		
Life Span	45°C 50000Hours		
IP Class	IP69K		
IK Class	IK10		
Certificate	CE, ROHS,		
Lamp Body Color	Gray (RAL9007)		
Product Size (mm)	400*400*197		
Net weight (kg) ± 0.3	5.8		
Packing Size (mm)	470*470*210		
Gross weight (kg) ± 0.3	6.8		
Installation mode	Hook/Pendant Mount		

High-temp Ambient High Bay F9H



Features

- Hi-temp ambient up to 65°C
- High Output LEDs, up to 160lm/W
- CRI >70
- Driver High PF>0.9, low THD, Flicker free
- Environmentally friendly, no mercury, No UV, No IR
- 60°/90°/120° beam angle
- IP65 protections rating
- Energy Efficiency Grade: A+++
- Quick Start instant 100% luminous flux
- 5 Year Warranty
- Certificate: CE, RoHS
- Body: Aluminium alloy
- Stainless steel screws
- Options: 1-10V Dimming, DALI dimming



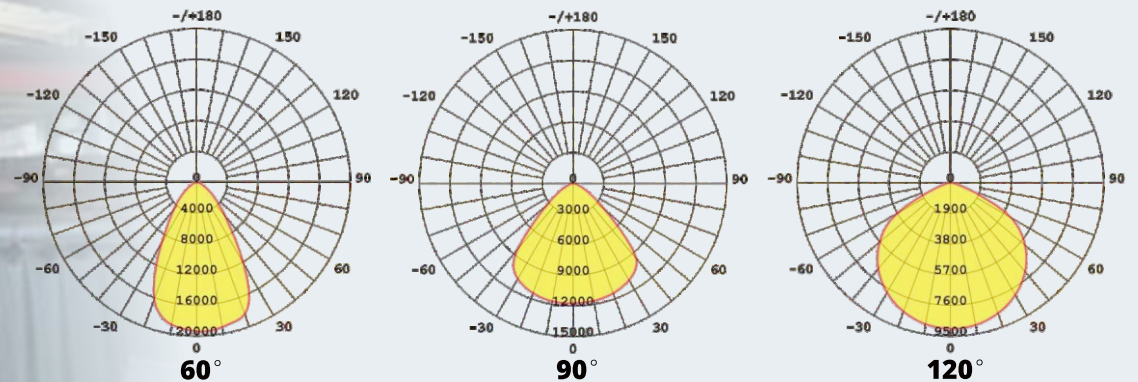
Applications

- Sports lighting
- Warehouse
- Storage
- Logistic

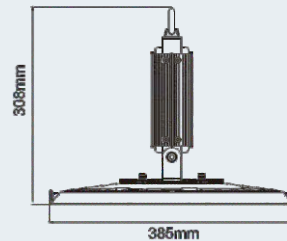
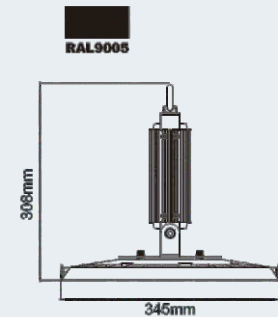
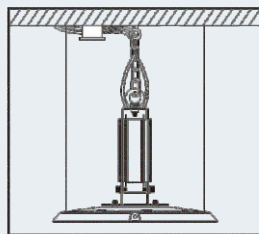
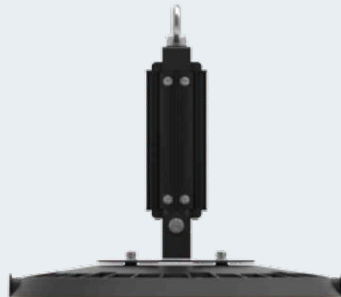


Hi-temp ambient up to 65°C

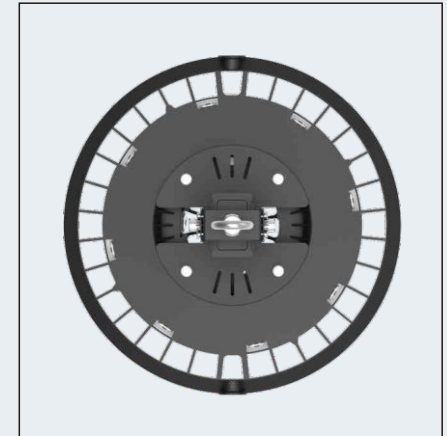
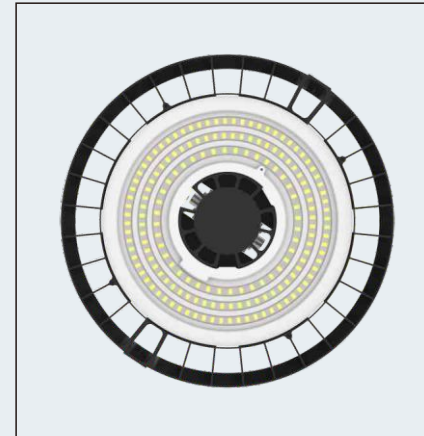
- 60° 90° 120°
- High Efficiency 160lm/W



100W/150W



High-temp Ambient High Bay F9H



Specifications

Product Code	TBF9-100W-H	TBF9-150W-H
Power	100W	150W
Input Voltage	200-240VAC (50/60Hz)	
Input Current	0.45A@230VAC	0.68A@230VAC
PF	0.9	
Dimming(Optional)	0-10V / DALI Dimming	
CCT	3000K, 4000K, 5000K, 6000K	
Ra >80,5000K	Luminous Flux	15000Lm ± 5%
	Efficiency	150Lm/W ± 5%
Ra >70,5000K	Luminous Flux	16000Lm ± 5%
	Efficiency	24000Lm ± 5%
LED Brand	Cree 3030	
Beam Angle	60°/ 90°/ 120°	
Operation Temp	-40°C ~ +65°C	
Storage Temp	-40°C ~ +85°C	
Life Span	65°C 50000Hours	
IP Class	IP65	
IK Class	IK10	
Certificate	CE, ROHS	
Lamp Body Color	Black (RAL9005)	
Product Size (mm)	345*345*308	385*385*308
Net weight (kg) ± 0.1	3.35	3.7
Packing Size (mm)	384*152*390	424*150*430
Gross weight (kg) ± 0.1	4.1	4.5
Installation mode	Hook Mount	

LED Linear High Bay Light G1

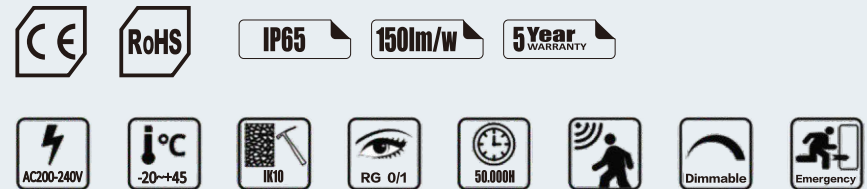


LED Linear High Bay Light G1

- 80W~200W
- Up to 150lm/W
- 120 Milky Cover With Soft Light
- Sensor & Emergency Battery Backup Option

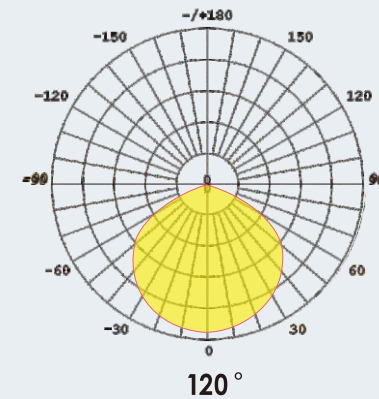
Features

- High Output LED's, up to 130~150lm/W
- High CRI >80
- Meanwell brand driver ,TUV UL CE certificate,PF>0.96, THD<12
- Flicker free
- Environmentally friendly, no mercury, No UV, No IR
- IP65, indoor use
- Energy Efficiency Grade: A+++
- Quick Start instant 100% luminous flux
- 5 Year Warranty on complete fixture. (LED's, Driver, & Housing)
- Certificate: CE, RoHs, SAA, C-Tick
- Optional: 1-10V, DALI Dimming, MW Sensor
- Surface Mount & Suspension Mount Optional



Applications

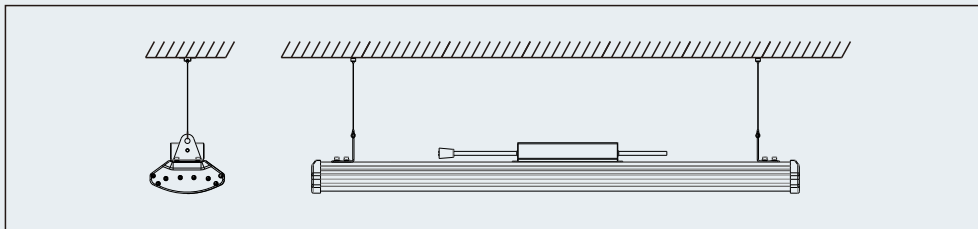
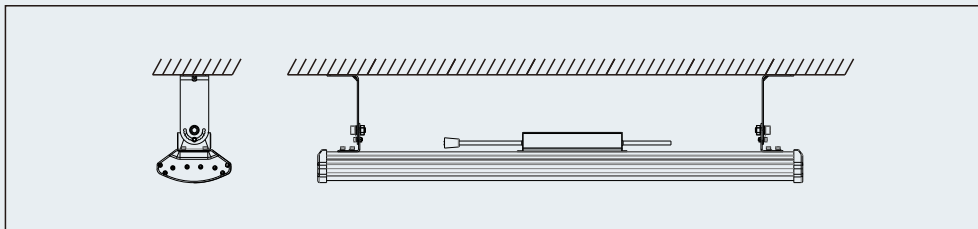
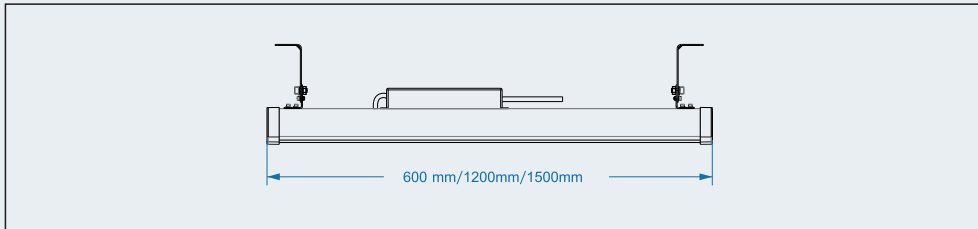
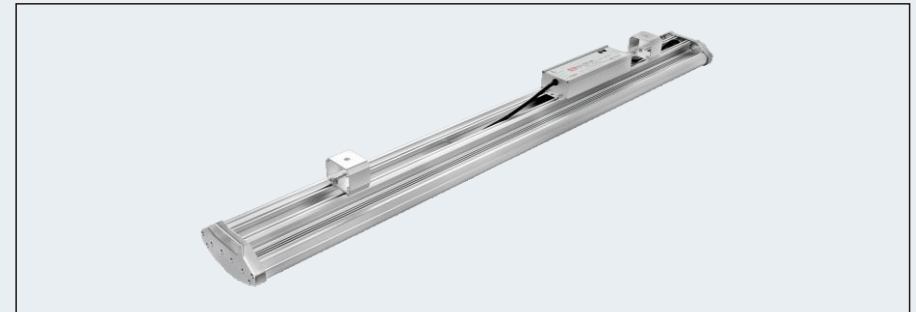
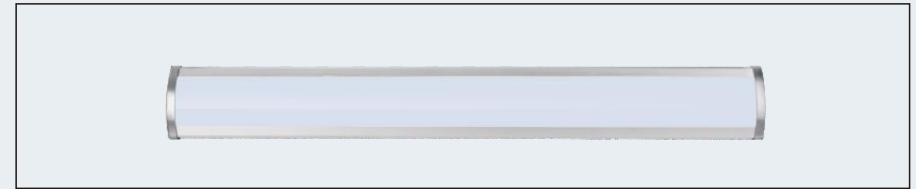
- Factories
- Warehouse
- Sports Halls
- Airport
- Workshops
- Exhibition Halls
- Bus station
- Spupermark
- Badminton court



80W/150W/200W



LED Linear High Bay Light G1



Specifications

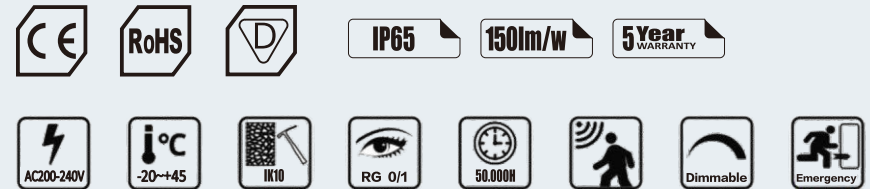
Product Code	TB-HT080W-G1	TB-HT150W-G1	TB-HT200W-G1
Power	80W	150W	200W
Input Voltage	200-240VAC / 100-277VAC (50/60Hz)		
PF	>0.9 @220VAC		
Dimming(Optional)	0-10V or DALI Dimming		
CCT	3000K, 4000K, 5000K, 6000K		
Ra>80, 5000K	Luminous Flux	14000lm ± 5%	26000lm ± 5%
	Efficiency	130lm/W ± 5%	
Ra>80, 5000K	Luminous Flux	12000lm ± 5%	30000lm ± 5%
	Efficiency	150lm/W ± 5%	
LED Brand	Lumileds/Hongli 2835		
Light Type	SMD2835		
Operation Temp	-20° ~ +45°C		
Storage Temp	-20° ~ +60°C		
Life Span	45°C 50000Hours		
IP Class	IP65		
IK Class	IK10		
Certificate	CE, RoHS, SAA		
Lamp Body Color	Housing: Aluminum Color: Silver Lens: PC		
Product Size (mm)	600*175*75mm	1200*150*67mm	1500*150*67mm
Packing Size (mm)	650*250*220mm	1250*250*220mm	1550*250*220mm
Quantity/carton	2pcs	2pcs	2pcs
Gross Weight (kg)	9kg	16kg	18kg
Installation mode	Surface Mount, Suspension Mount		

LED Linear High Bay Light G2



Features

- High Output LED's, up to 130~150lm/W
- High CRI >80
- Meanwell brand driver ,TUV UL CE certificate,PF>0.96, THD<12
- Flicker free
- Environmentally friendly, no mercury, No UV, No IR
- IP65, indoor use
- Energy Efficiency Grade: A+++
- Quick Start instant 100% luminous flux
- 5 Year Warranty on complete fixture. (LED's, Driver, & Housing)
- Certificate: CE, RoHs, SAA, C-Tick
- Optional: 1-10V, DALI Dimming, MW Sensor
- Surface Mount & Suspension Mount Optional

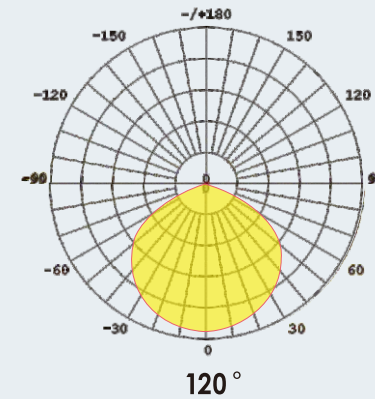


Applications

- Factories
- Warehouse
- Sports Halls
- Airport
- Workshops
- Exhibition Halls
- Bus station
- Spupermark
- Badminton court

LED Linear High Bay Light G2

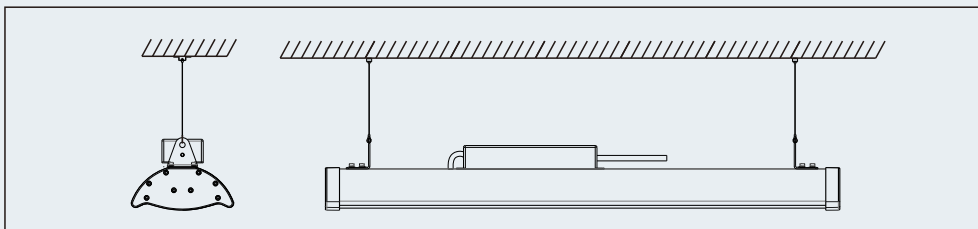
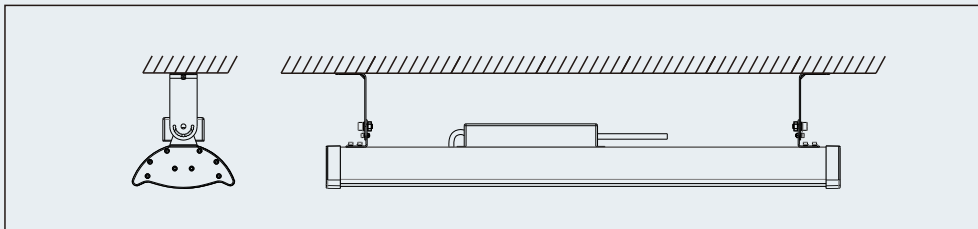
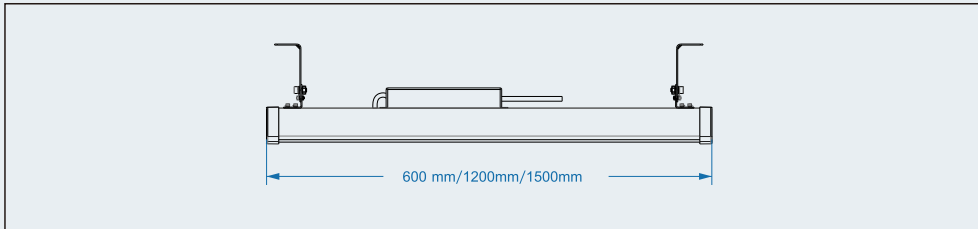
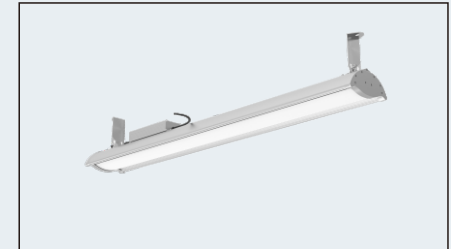
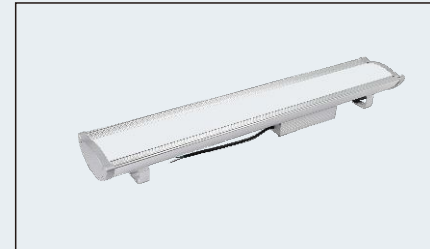
- 80W~200W
- Up to 150lm/W
- 120 Milky Cover With Soft Light
- Sensor & Emergency Battery Backup Option



80W/150W/200W



LED Linear High Bay Light G2



Specifications

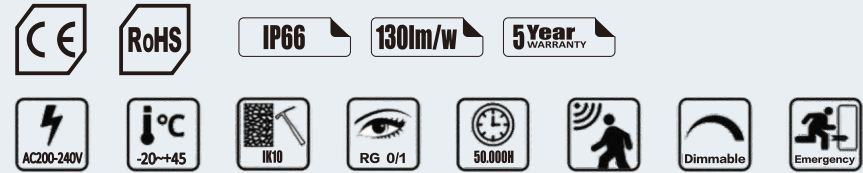
Product Code	TB-HT080W-G2	TB-HT150W-G2	TB-HT200W-G2
Power	80W	150W	200W
Input Voltage	200-240VAC/100-277VAC (50/60Hz)		
PF	>0.9 @220VAC		
Dimming(Optional)	0-10V / DALI Dimming		
CCT	3000K, 4000K, 5000K, 6000K		
Ra>80, 5000K	Luminous Flux	14000lm±5%	19500lm±5%
	Efficiency	130lm/W±5%	
Ra>80, 5000K	Luminous Flux	12000lm±5%	22500lm±5%
	Efficiency	150lm/W±5%	
LED Brand	Lumileds/Hongli 2835		
Light Type	SMD2835		
Operation Temp	-20°~+45°C		
Storage Temp	-20°~+60°C		
Life Span	45°C 50000Hours		
IP Class	IP65		
IK Class	IK10		
Certificate	CE, RoHS, SAA		
Lamp Body Color	Housing: Aluminum Color: Silver Lens: PC		
Product Size (mm)	600*175*75mm	1200*175*75mm	1500*175*75mm
Packing Size (mm)	650*250*220mm	1250*250*220mm	1550*250*220mm
Quantity/carton	2pcs	2pcs	2pcs
Gross Weight (kg)	9kg	16kg	18kg
Installation mode	Surface Mount, Suspension Mount		

Slimline LED Flood Light TG1



Features

- High Output LED's, up to 130lm/W
- High CRI >80
- Lumileds LEDs
- Meanwell brand driver, TUV UL CE certificate, PF>0.96, THD<12
- 30 / 60 / 90 / 120 / 30*90 / TYPE III multi beam angle for option
- Durable tempered glass front
- Environmentally friendly, no mercury, No UV, No IR
- IP66, indoor & outdoor use
- Energy Efficiency Grade: A+++
- Quick to install and easy to use, secure and reliable
- 5 Year Warranty on complete fixture (LED's, Driver, & Housing)
- Certificate: CE, RoHS

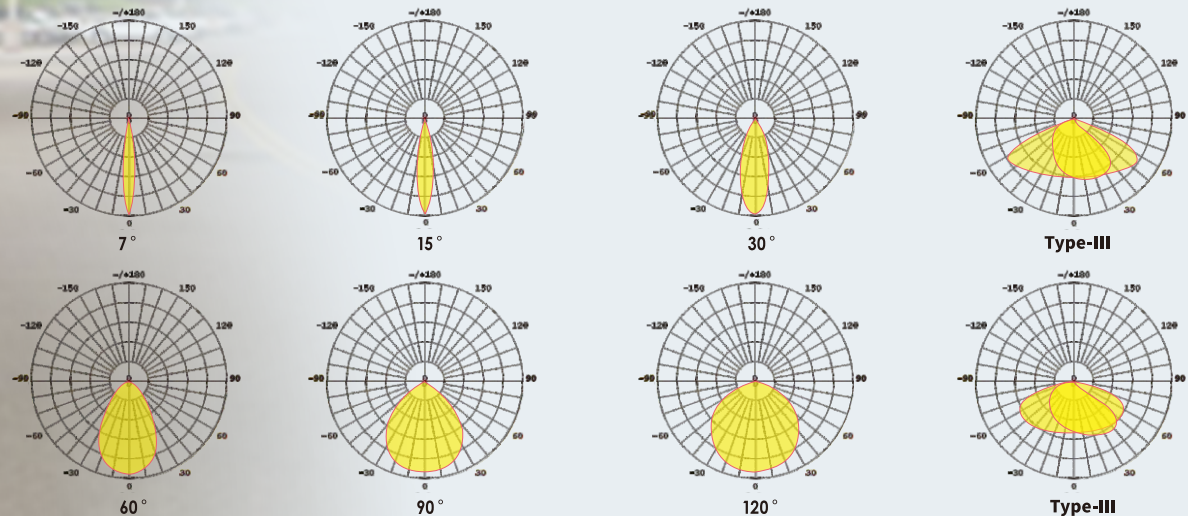


Applications

- Parking Lot Lighting
- Car Lot Lighting
- Area & Storage Lighting
- Street Lighting
- Walkway Lighting
- Building Accent Lighting

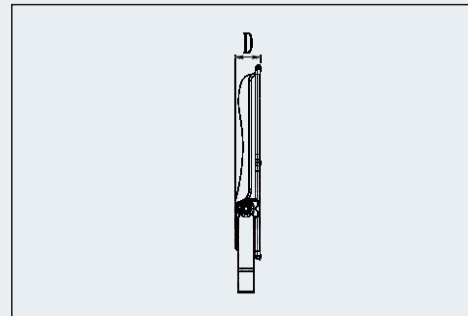
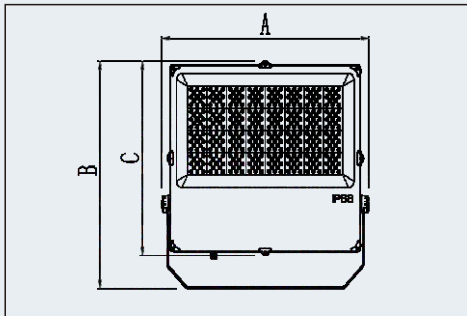
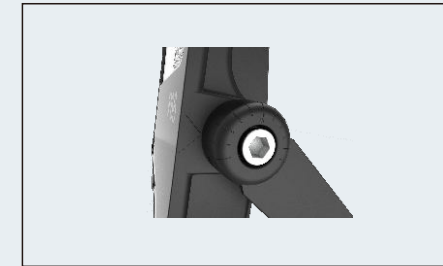
Slimline LED Flood Light

- 20W~400W
- CCT Adjustable option
- Microwave Sensor option
- PIR Sensor option



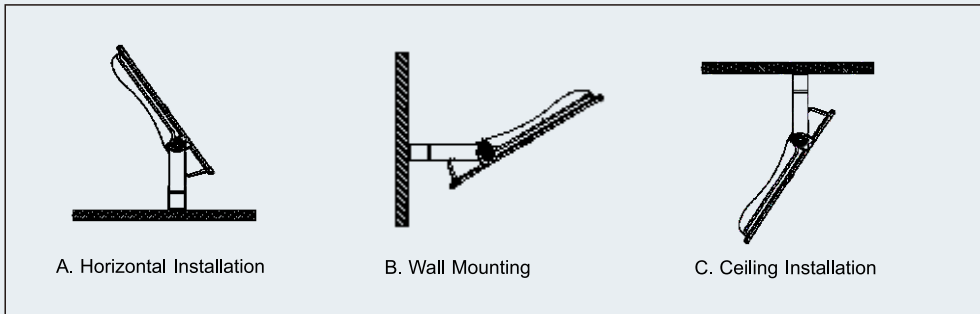


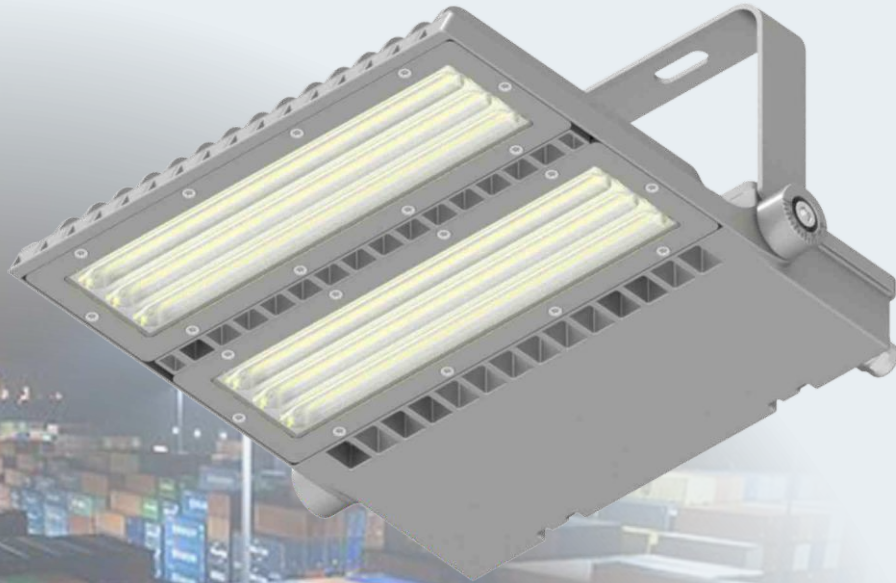
20W/30W/50W/100W/150W/200W/300W/400W



Specifications

Product Code	TBTG1-20W	TBTG1-30W	TBTG1-50W	TBTG1-100W	TBTG1-150W	TBTG1-200W	TBTG1-250W	TBTG1-300W	TBTG1-400W	
Power	20W	30W	50W	100W	150W	200W	250W	300W	400W	
Input Voltage	200-240VAC(50/60Hz)									
PF	>0.9 @220VAC									
Dimming(Optional)	0-10V or DALI Dimming									
CCT	3000K, 4000K, 5000K, 6000K									
Ra>80, 5000K	Luminous Flux	2400lm±5%	3600lm±5%	6000lm±5%	12000lm±5%	18000lm±5%	24000lm±5%	30000lm±5%	36000lm±5%	48000lm±5%
	Efficiency	3000K, 4000K, 5000K, 6000K								
Ra>70, 5000K	Luminous Flux	2600lm±5%	3900lm±5%	6500lm±5%	13000lm±5%	19500lm±5%	26000lm±5%	32500lm±5%	39000lm±5%	52000lm±5%
	Efficiency	130lm/W±5%								
LED Brand	Lumileds or Hongli									
Light Type	SMD 3030 or SMD2835									
Operation Temp	-20 ~ +45°C									
Storage Temp	-20 ~ +60°C									
Life Span	45°C 50000Hours									
IP Class	IP66									
IK Class	IK08									
Certificate	CE RoHS									
Lamp Body Color	Black (RAL9005)									
Product Size (mm)	122*182*47mm	169*248*51mm	228*288*52mm	278*364*53mm	394*394*56mm	394*445*56mm	394*497*58mm	394*497*58mm	545*523*65mm	
Packing Size (mm)	405*275*290mm	365*270*315mm	475*310*315mm	390*305*315mm	440*420*115mm	490*420*115mm	540*420*115mm	540*420*115mm	580*550*115mm	
Quantity/carton	20pcs	10pcs	10pcs	5pcs	1pcs	1pcs	1pcs	1pcs	1pcs	
Gross Weight (kg)	16kg	12kg	18kg	13kg	5.6kg	6.6kg	8.1kg	8.6kg	12.3kg	
Installation mode	Horizontal Installation, Wall Mounting, Ceiling Installation									





Features

- High Output LED's, up to 130~140lm/W
- Meanwell driver, High PF>0.96 low THD driver, Flicker free
- Environmentally friendly, no mercury, No UV, No IR
- 4 Different Beam angle cover 90% application
- ANB: 32°x 84° Tilt 30° /AWB: 50°x 88° Tilt 45° /SNB: 25°x 75°/SWB: 36°x 88°
- IP66 protection rating ; for indoor & outdoor use
- Energy Efficiency Grade: A+++
- Quick Start instant 100% luminous flux
- 5 Year Warranty on complete fixture. (LED's, Driver, & Housing)
- Certificate: CE, RoHS
- Body: Aluminium alloy
- Stainless steel screws
- Options: 0-10V / Dali Dimming



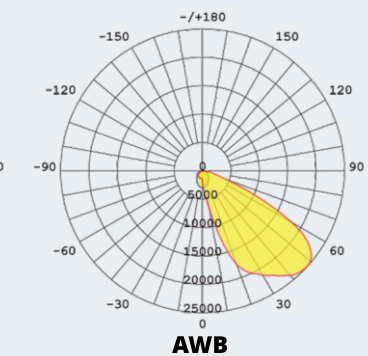
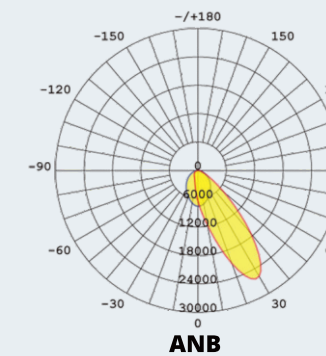
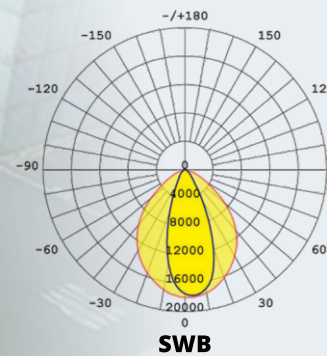
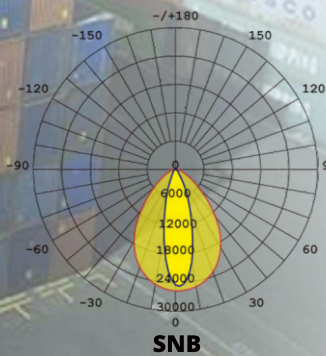
Applications

- Storage
- Sports lighting
- Warehouse
- Billboard
- Road Lighting
- Any outdoor application



Professional LED Area Light for the Sports field, Harbour, Billboard

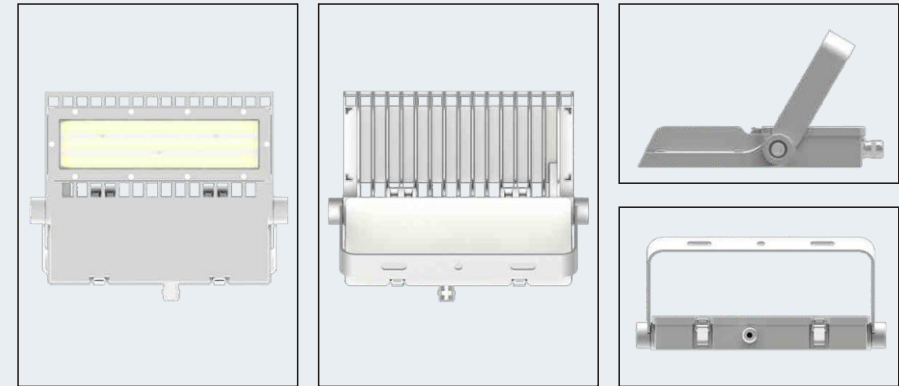
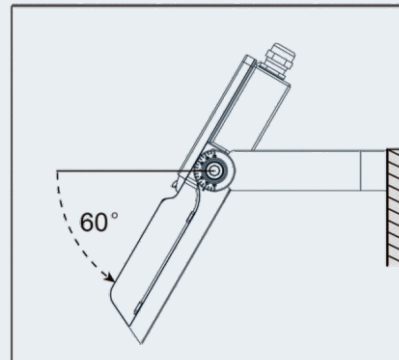
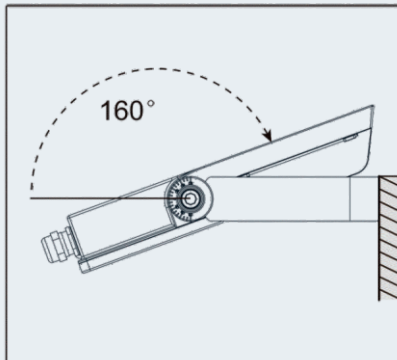
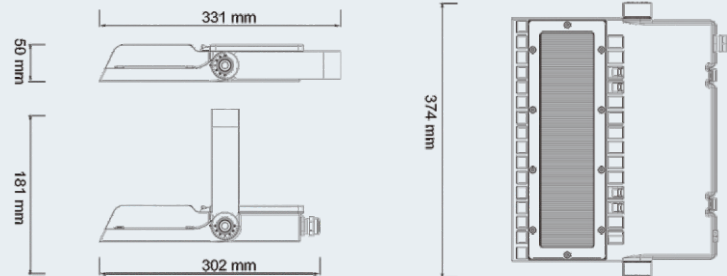
- Salt-Spray resistant
- Particular Optical lens with accurate angles



75W/100W/150W



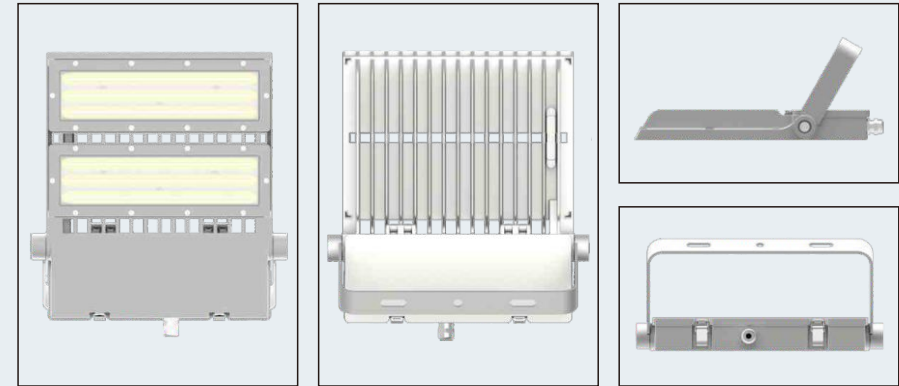
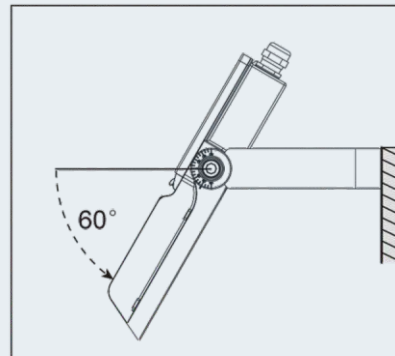
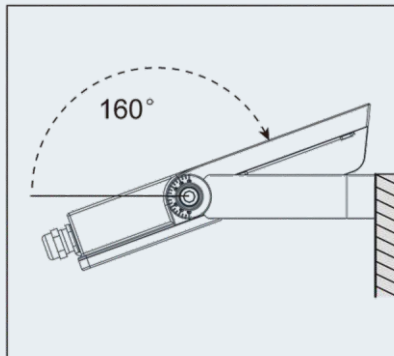
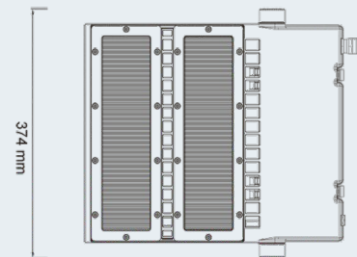
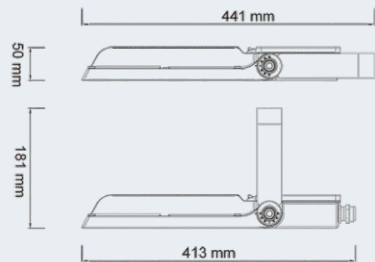
 **RAL9007**  **RAL9005**



Product Specification

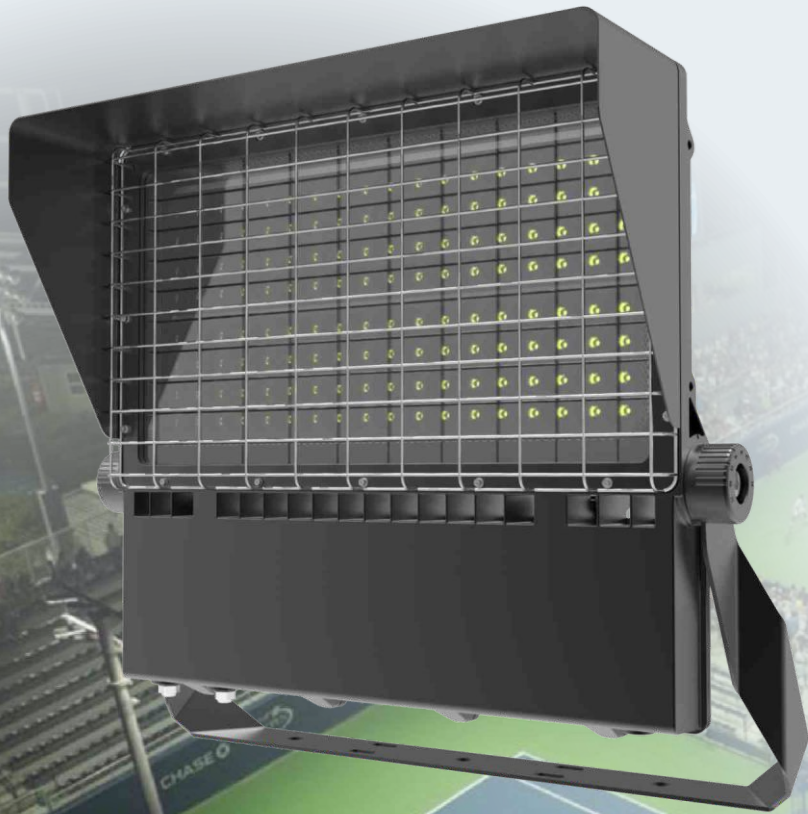
Product Code	TB-AL-75W	TB-AL-100W	TB-AL-150W	
Power	75W	100W	150W	
Input Voltage	200-240VAC/100-277VAC (50/60Hz)			
Input Current	0.34A@220VAC	0.45A@220VAC	0.68A@220VAC	
PF	>0.90@220VAC			
DC output voltage	48V			
DC output current	1.4A	1.9A	2.9A	
Dimming(Optional)	3 in 1 dimming (PWM, 0-10V, Resistor), Dali			
CCT	3000K, 4000K, 5000K, 6000K			
Ra > 80,5000K	Luminous Flux	9750Lm ± 10%	13000Lm ± 10%	19500Lm ± 10%
	Efficiency	130Lm/W ± 10%		
Ra > 70,5000K	Luminous Flux	10500Lm ± 10%	14000Lm ± 10%	21000Lm ± 10%
	Efficiency	140Lm/W ± 10%		
LED Brand	Nichia 3030			
Light type	Asymmetric and symmetric light			
Operation Temp	-40°C~+45°C			
Storage Temp	-40°C~+85°C			
Life Span	45°C 50000Hours			
IP Class	IP66			
IK Class	IK10			
Certificate	CE, ROHS			
Lamp Body Color	Gray(default with RAL9007)、Black(optional for RAL9005)			
Product Size (mm)	331*374*50			
Net weight (kg) ± 0.1	4.58	4.63	4.76	
Packing Size (mm)	430*370*76			
Gross weight (kg) ± 0.1	4.98	5.03	5.16	
Total Size (mm) (2pcs)	445*328*390			
Total weight (2pcs) ± 0.2	20.68	20.88	21.4	
Installation mode	Bracket Mount			

200W/240W



Product Specification

Product Code	TB-AL-200W	TB-AL-240W
Power	200W	240W
Input Voltage	200-240VAC/100-277VAC (50/60Hz)	
Input Current	0.91A@220VAC	1.10A@220VAC
PF	>0.90@220VAC	
DC output voltage	48V	
DC output current	3.9A	4.65A
Dimming(Optional)	0-10V / DALI Dimming	
CCT	3000K, 4000K, 5000K, 6000K	
Ra >80,5000K	Luminous Flux	26000Lm±10%
	Efficiency	130Lm/W±10%
Ra >70,5000K	Luminous Flux	28000Lm±10%
	Efficiency	140Lm/W±10%
LED Brand	Nichia 3030	
Light type	Asymmetric and symmetric light	
Operation Temp	-40°C~+45°C	
Storage Temp	-40°C~+85°C	
Life Span	45°C 50000Hours	
IP Class	IP66	
IK Class	IK10	
Certificate	CE, RoHS	
Lamp Body Color	Gray(default with RAL9007)、Black(optional for RAL9005)	
Product Size (mm)	441*374*50	
Net weight (kg) ±0.1	6.37	
Packing Size (mm)	500*415*76	
Gross weight (kg) ±0.1	6.84	
Total Size (mm) (2pcs)	520*170*440	
Total weight (2pcs) ±0.2	14.43	
Installation mode	Bracket Mount	



The HIGH MAST Heavy-Duty LED Light

optimises the latest from TUBU's LED lighting technology to deliver the most powerful and robust flood light for heavy industrial applications.

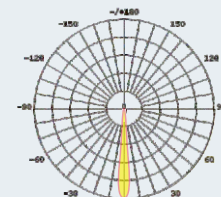
Features

- High Output LED's, up to 100~150lm/W
- Meanwell/Inventronics driver, High PF>0.9 low THD driver, Flicker free
- Environmentally friendly, no mercury, No UV, No IR
- 11° / 15° / 24° / 36° / AWB / ANB Beam angle
- IP66 protection rating ; for indoor & outdoor use
- Energy Efficiency Grade: A+++
- Quick Start instant 100% luminous flux
- 5 Year Warranty on complete fixture. (LED's, Driver, & Housing)
- Certificate: CE, RoHS
- Body: Aluminium alloy
- Stainless steel screws
- Options: 1-10V/Dali

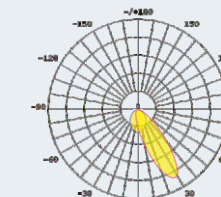


Applications

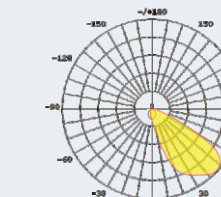
- High Mast
- Stock Piles
- Sports Grounds
- Crushers
- Workshops
- Golf Courses
- Loading Docks
- Ports/Wharf



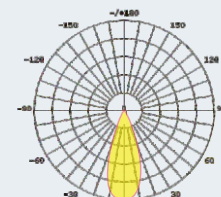
10°



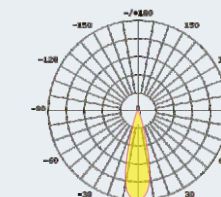
ANB



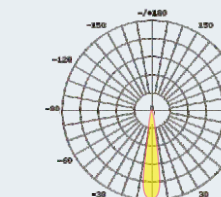
AWB



36°



24°

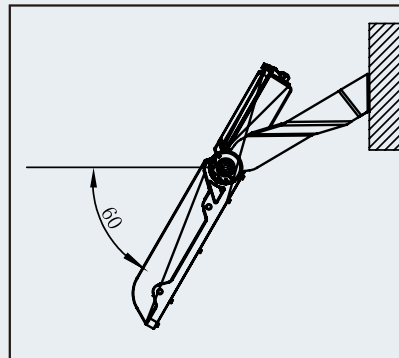
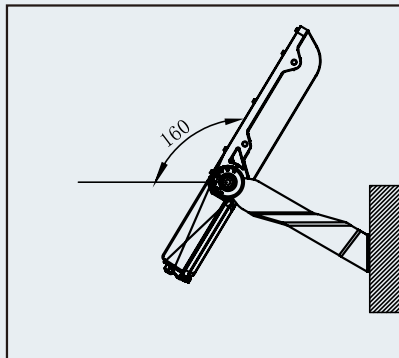
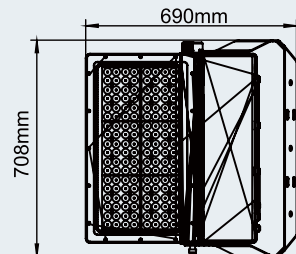
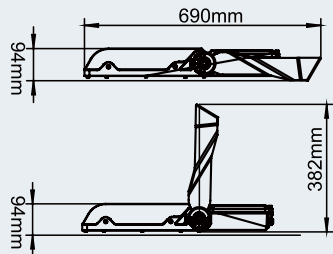


15°

350W/500W/600W



RAL9005



Product Specification

Product Code	TBHM-350W	TBHM-500W	TBHM-600W
Power	350W	500W	600W
Input Voltage	90-305VAC/200-480VAC		
Input Current	1.59A@220VAC	2.27A@220VAC	2.73A@220VAC
PF	>0.90@220VAC		
Dimming(Optional)	3 in 1 dimming (PWM, 0-10V, Resistor), Dali		
CCT	2700K-6500K		
Ra >80,5000K	Luminous Flux	35000-52500Lm ± 10%	50000-75000Lm ± 10%
Ra >70,5000K	Efficiency	100-150Lm/W ± 10%	
LED Brand	Nichia, Cree		
Light type	10°, 15°, 24°, 36°, ANB, AWB		
Operation Temp.	-40°C~+55°C		
Storage Temp.	-40°C~+85°C		
Life Span	45°C L70>100000Hours(LED)		
IP Class	IP66		
IK Class	IK08		
Certificate	ETL, CE, CB, C-TICK, ROHS		
Lamp Body Color	Black (RAL9005)		
Product Size (mm)	690*708*94		
Net weight (kg) ± 0.3	23		
Packing Size (mm)	800*800*150		
Gross weight (kg) ± 0.3	25.6		
Installation mode	Bracket Mount		



Features

- High Output LED's, up to 160lm/W
- Lumileds LEDs
- High CRI >70
- Meanwell or Inventronics brand driver, TUV UL CE certificate, PF>0.96, THD<12
- Flexible optical system optimising lighting distributions for best in class results. P50/P50-P8/10 /20 /40 /60 /90 /30°70° for option
- Standard with 316 stainless steel bracket, strong hardness, never corroded
- Environmentally friendly, no mercury, No UV, No IR
- IP66, indoor & outdoor use
- Energy Efficiency Grade: A+++
- Quick to install and easy to use, secure and reliable
- Certificate: CE, RoHs
- 5 Year Warranty on complete fixture (LED's, Driver, & Housing)



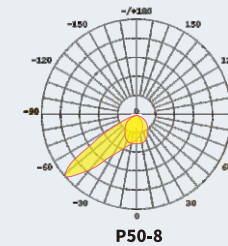
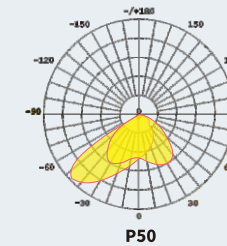
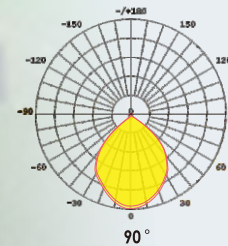
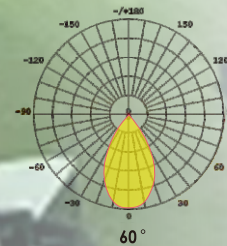
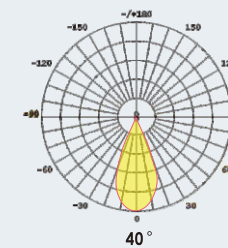
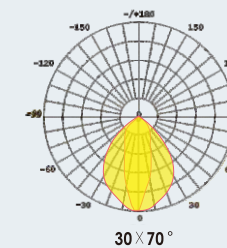
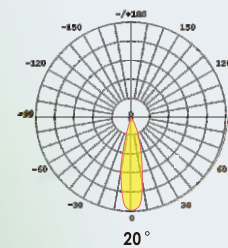
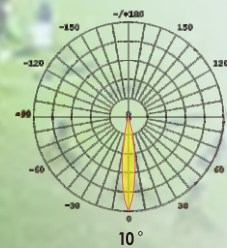
Applications

- National Stadium
- Indoor Stadium
- Football Field
- Outdoor Playground
- Golf Course
- Logistics Port



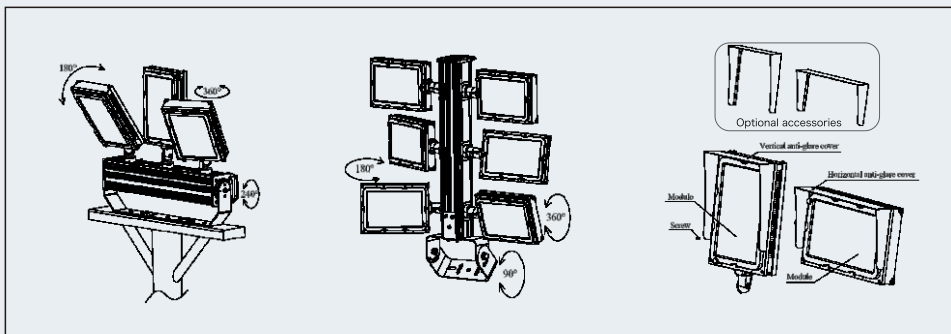
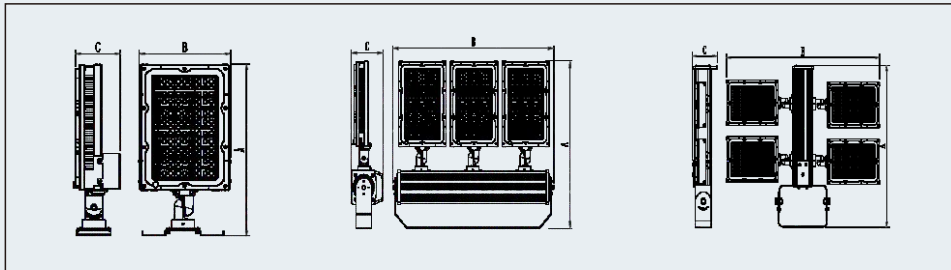
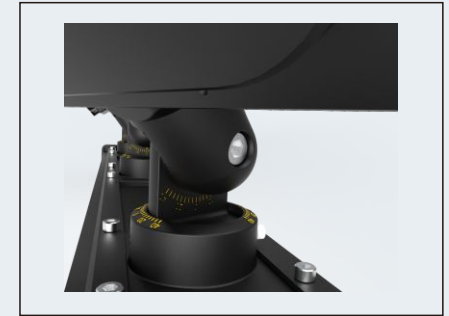
High Mast Light

- 240W~1800W
- Adjustable Modular Design



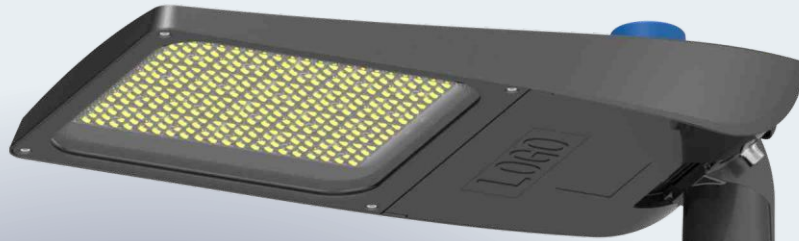
Modular LED High Mast Light-HMG3

300W/600W/900W/1200W/1800W



Specifications

Product Code	TBHMG3-300W	TBHMG3-600W	TBHMG3-900W	TBHMG3-1200W	TBHMG3-1800W
Power	300W	600W	900W	1200W	1800W
Input Voltage	200-240VAC/100-277VAC (50/60Hz)				
PF	>0.9 @220VAC				
Dimming(Optional)	0-10V / DALI Dimming				
CCT	3000K, 4000K, 5000K, 6000K				
Ra>70, 5000K	Luminous Flux	48000lm±5%	96000lm±5%	144000lm±5%	192000lm±5%
	Efficiency	160lm/W±5%			
LED Brand	Lumileds				
Light Type	SMD 3030 or SMD5050				
Operation Temp	-40°~+50°C				
Storage Temp	-40°~+60°C				
Life Span	45°C 50000Hours				
IP Class	IP66				
IK Class	IK08				
Certificate	CE RoHS				
Lamp Body Color	Black (RAL9005)				
Product Size (mm)	518*270*137mm	745*594*172mm	745*874*172mm	911*1126*182mm	1191*1126*182mm
Packing Size (mm)	587*330*184mm	826*649*227mm	929*826*227mm	976*1222*224mm	1262*1222*224mm
Quantity/carton	1pcs				
Gross Weight (kg)	8kg	25kg	36kg	56kg	72kg
Installation mode	Pole Mount				



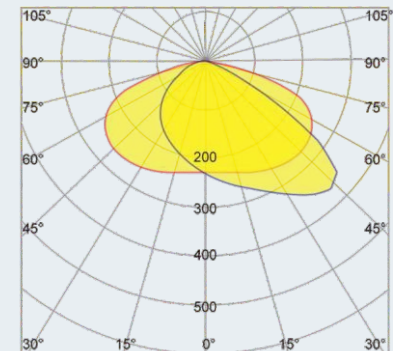
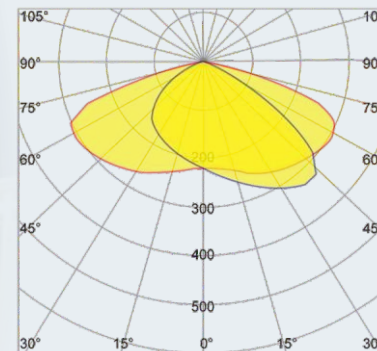
Features

- High Output LED's, up to 130~140lm/W
- Maintenance flap for quick access to the driver compartment
- Excellent heat dissipation and modern design
- Slim and compact profile for maximum wind resistance
- Circuit interrupter for maintenance access
- Adjustable installation angle
- IP66 for all weather condition
- Daylight sensor and motion sensor available
- 3pin, 5pin, 7pin NEMA base
- Corrosion-resistant coating for seaside application
- Electrical disconnecter
- Optional 20KV Surge Protection upgrade
- 5 years warranty



Applications

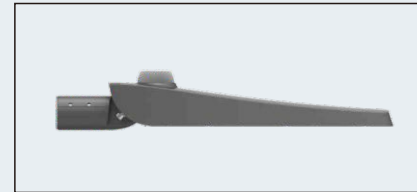
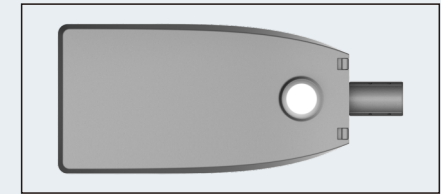
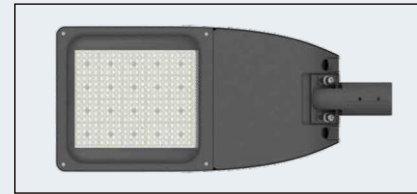
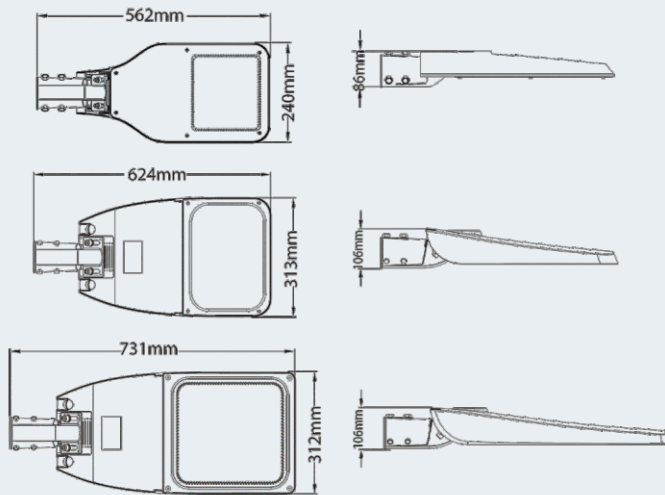
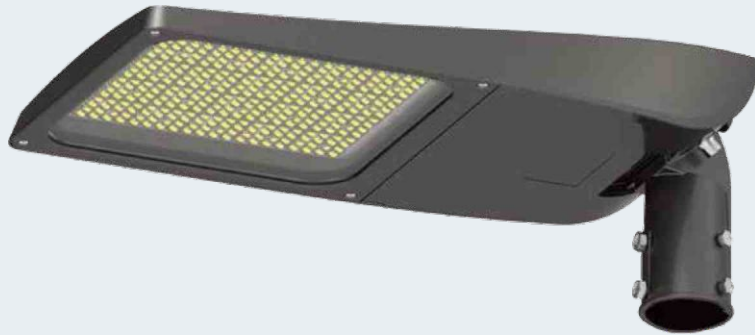
- Sports lighting
- Warehouse
- Road Lighting
- Storage
- Billboard
- Any outdoor application



SMART LED STREET LIGHT

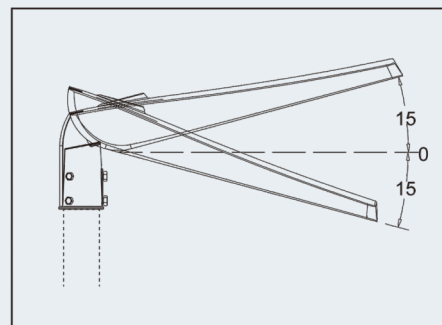
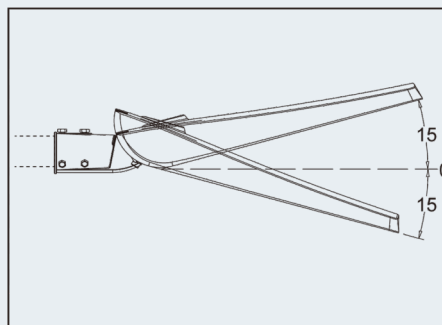
- Modern Design
- Effective
- Dimmable
- Remotely Controllable option

28W~180W



Product Specification

Product Code		TBSL-28/38/45/55/65W	TBSL-75/90/105/120W	TBSL-130/150/160/180W
Power		28/38/45/55/65W	75/90/105/120W	130/150/160/180W
Input Voltage		200-240VAC / 100-277VAC (50/60Hz)		
Input Current		0.13/0.27A	0.41A	0.55/0.69/0.82A
PF		>0.95		
Control	PHILIPS	Photo cell, Zigbee, NB-IoT		
CCT		3000K, 4000K, 5000K, 6000K		
Ra >80,5000K	Luminous Flux	3920/5320/6300 7700/9100Lm ± 10%	10500/12600/ 14700/16800Lm ± 10%	18900/21000/ 22400/25200Lm ± 10%
	Efficiency	140Lm/W ± 10%		
LED Brand		LUMILEDS, CREE		
Beam Angle		ME1~ME5		
Operation Temp		-40°C~+50°C		
Storage Temp		-40°C~+85°C		
Life Span		50000Hours@L70		
IP Class		IP66		
IK Class		IK08		
Certificate		CE, CB, ENEC, ROHS		
Lamp Body Color		RAL7024		
Product Size (mm)		562*240*86	624*313*106	731*312*106
Net weight (kg) ± 0.3		4.3	6.0	7.8
Packing Size (mm)		631*318*169	700*390*190	800*390*190
Gross weight (kg) ± 0.3		5.5	7.2	9.0
Installation mode		Pendant Mount		





ADD

Building C
Hankun Hi-tech Industrial Zone
Longteng Road
Pingdi, Longgang
Shenzhen

TEL

Sales Office: +86-755-28261690
Factory: +86-755-84615006

FAX

86-755-89705543

Email

sales@tu-bu.com

WEBSITE

www.tu-bu.com

