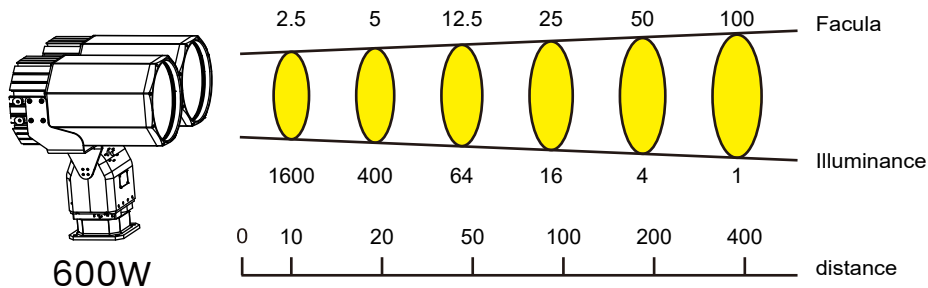


High Power LED Search Light

Features

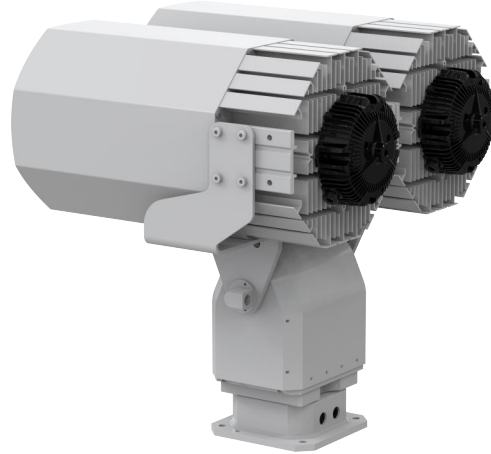
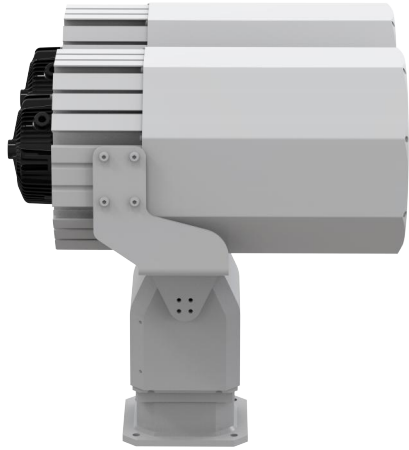
- Protection class: IP66
- Power: 600W
- Irradiation distance: $\geq 400\text{M}$ (1LUX)
- Beam angle: 15°
- Slip-rings provide continuous 360° horizontal rotation with no stop points
- Auto-return to home position
- Auto-scan with user programmability
- Advanced proportional-speed control
- Approved for temperatures down to -35°C and up to $+55^\circ\text{C}$
- Materials: marine grade aluminum and stainless steel with salt-resistant powder coat finish
- Lower power consumption: LED's consume 75% or more less power than Halogen lamps
- Longer life: LED's last tens-of-thousands of hours compared to approximately 250 to 750 hours depending upon the Halogen lamp. This reduces lamp replacement costs, increases reliability



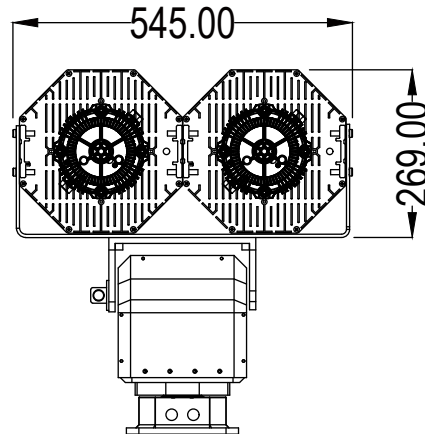
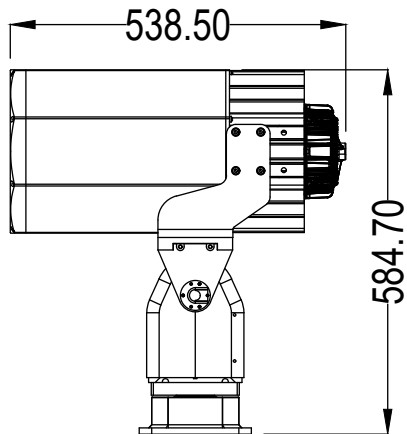
Applications

- National defense
- Marine
- Military
- Water conservation
- Expedition and oil field
- Wharf
- Large surface warship
- Maritime search and rescue





Cloud Platform



Specifications

Model		TBSL-H3-600W		
Light Information	Light Source	LED		
	Power Consumption	600W		
	Color Temperature	6000K		
	Input Voltage	AC100~277 V 50/60HZ		
	Working Temperature	-35°C ~ +55°C		
	IP Rating	IP66		
	Lifespan	>30,000 hours		
	Beam Angle	15°		
	Beam Distance	≥400m (1LUX)		
	Housing Material	1070 Pure aluminum cold forging, with Salt-resistant, Scratch-resistant White Powder Coat Finish		
Weight	60kg			
Lux	Lux Level	Facula	ILLuminance	Distance
		2.5m	1600	10
		5.0m	400	20
		12.5m	64	50
		25m	16	100
		50m	4	200
100m	1	400		
Cloud Platform (Optional)	Adjustable Speed	Horizontal:0.1°~9°/S; vertical 0.1 ~6°/S;		
	Adjustable Angle	Horizontal: 0~180°or 0~360°; vertical +30°~30°; or custeomizable		
	Preset Position	200 pcs		
	Repeated Positioning Accuracy	±0.2°		
	Communication Protocol	Pelco-D, Pelco-P for option		
	Communication Baud Bate	2400/4800/9600/19200 bps for option		
Communication Interface	RS485/ RS422			